



 **SNIPER 2**



 **SNIPER 2**

www.selfsat.com

AUTOMATIC FLAT SATELLITE ANTENNA

World best automatic camping antenna

ENGLISH : User's manual

GERMAN: Bedienungsanleitung

FRENCH : Manual utilisateur

DUTCH : Gebruikershandleiding

I DO IT Co., Ltd.

#637, Smart-Hub ndustry-University Convergence Center, 237 Sangidaehak-ro, Siheung-si,
Gyeonggi-do, **KOREA**

Tel : +82 (0)31 8041 1500 Fax : +82 (0)31 8041 1550 E-mail : sales@selfsat.com

ver 1.0

SELF SAT
www.selfsat.com

Contents

1. General Information

1-1. Introduction	2
1-2. Proper use and operation	3
1-3. Safety notes	3

2. Contents

2-1. Accessory included	4
2-2. Name of parts	5

3. Operating Instruction

3-1. Connection diagram	6
3-2. Functional description	7
3-3. Quick reference	9

4. Software Upgrade

10

5. Advanced Settings

11

6. Trouble Shooting

12

7. Specifications

7-1. Dimension	13
7-2. Specifications	13

8. Caravan/Motorhome Installation

8-1 . Required space for SNIPE2	14
8-2. Equipment for installation	15
8-3. Instruction for installation	15

1. General Information

1-1. Introduction

These instructions describe the functions and operation of SNIPE2, auto skew satellite system.

Correct and safe operation of the system can only be ensured by following instruction, both for installation and operation.

SNIPE2 is an intelligent satellite-TV reception system which can align itself towards a preset satellite automatically as long as the system is located within the footprint of the selected satellite.

SNIPE2 only occupies requisite space while it performs the necessary adjustments with slim and agile antenna body.

For general operation, please ensure that the system always has a clear view to the sky. In Europe, all satellites are in an approximate position on the equator. If the satellite's signal beam is interrupted by obstacles such as mountains, buildings or trees, the unit will not function and no TV signal will be received.

For more information on general use of this unit consult local dealer for assistance.

1-2. Proper use and operation

This product has been designed for portable use and fixed installation on vehicles with maximum speeds of 130 km/h. The unit is programmed to automatically aims at geostationary television satellites.

The power is supplied by a standard vehicle electrical system with a rated voltage of 12 or 24 Volts DC. For installations on the vehicle, use power input cable (cigarette lighter cable) to supply power. For portable use, optional power adaptor produced by SNIPE2 manufacturer must be used.

Use of the equipment for any other purpose to the one specified is not permitted.

Please also note the following instructions from the manufacturer :

- It is not possible to add or remove components on this product.
- The use of other components other than those originally supplied is not permitted.
- To complete installation, installer must strictly follow instruction in the supplied user manual. Failure to follow the user manual may cause damage to the unit or user's vehicle.
- The product does not require any regular maintenance; all service must be carried out at approved service centers.
- All relevant guidelines of the automotive industry must be observed and complied with.
- The equipment must only be installed on solid vehicle roofs.
- Avoid cleaning user's vehicle with the mounted satellite system in a drive-through car wash or a car wash with a high-pressure cleaner.

1-3. Safety notes

Please carefully read and follow the operating instructions in this manual and use the SNIPE2 for its intended purpose.

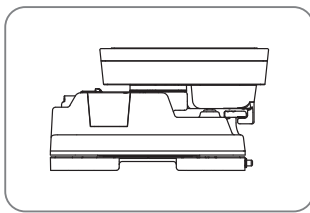
Upon installation of SNIPE2, please ensure the installation is done with supplied cables and ensure the cables are not modified in any way.

As the user of this equipment, be responsible for ensuring compliance with the relevant laws and regulations.

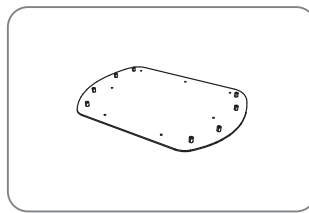
The manufacturer does not take liability for direct or indirect consequential damage of the system, motor vehicles or other equipment by reason of unsuitable battery usage or erroneous installation or wrong wire connection.

2. Contents

2-1. Accessory included



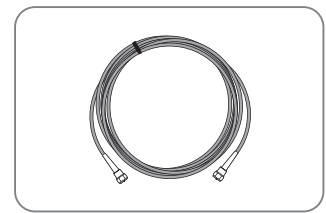
Main unit



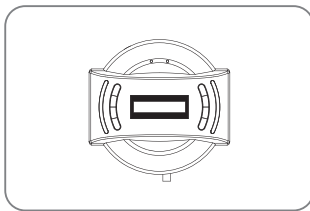
Mounting plate



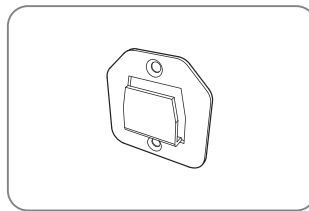
Cigarette lighter adaptor



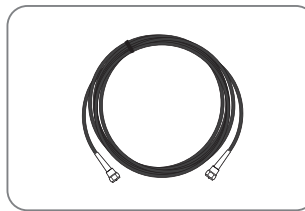
Receiver cable -12m , Grey
(x2 for twin outputs)



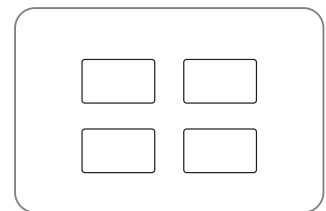
Controller



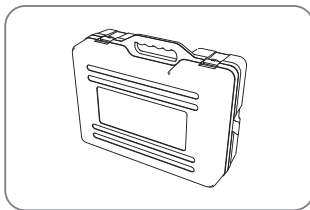
Controller bracket



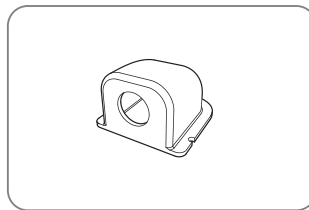
Controller cable - 12m , Black



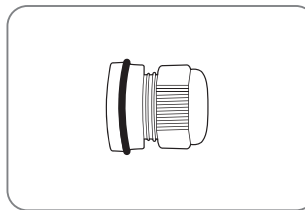
Base pads



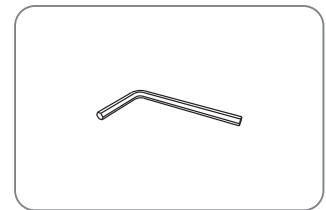
Carrying case



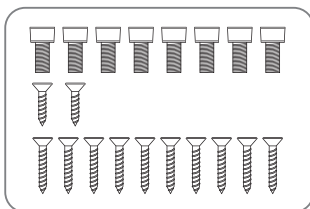
Cable holder



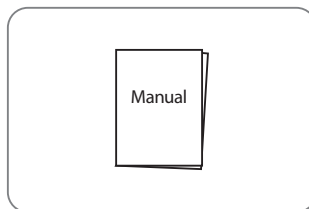
Cable gland



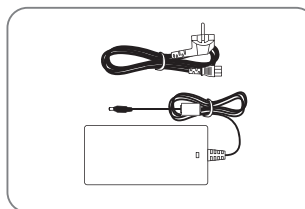
Allen wrench



M6 × 15(8),
M4 × 16(2), M4 × 20(10)



User manual

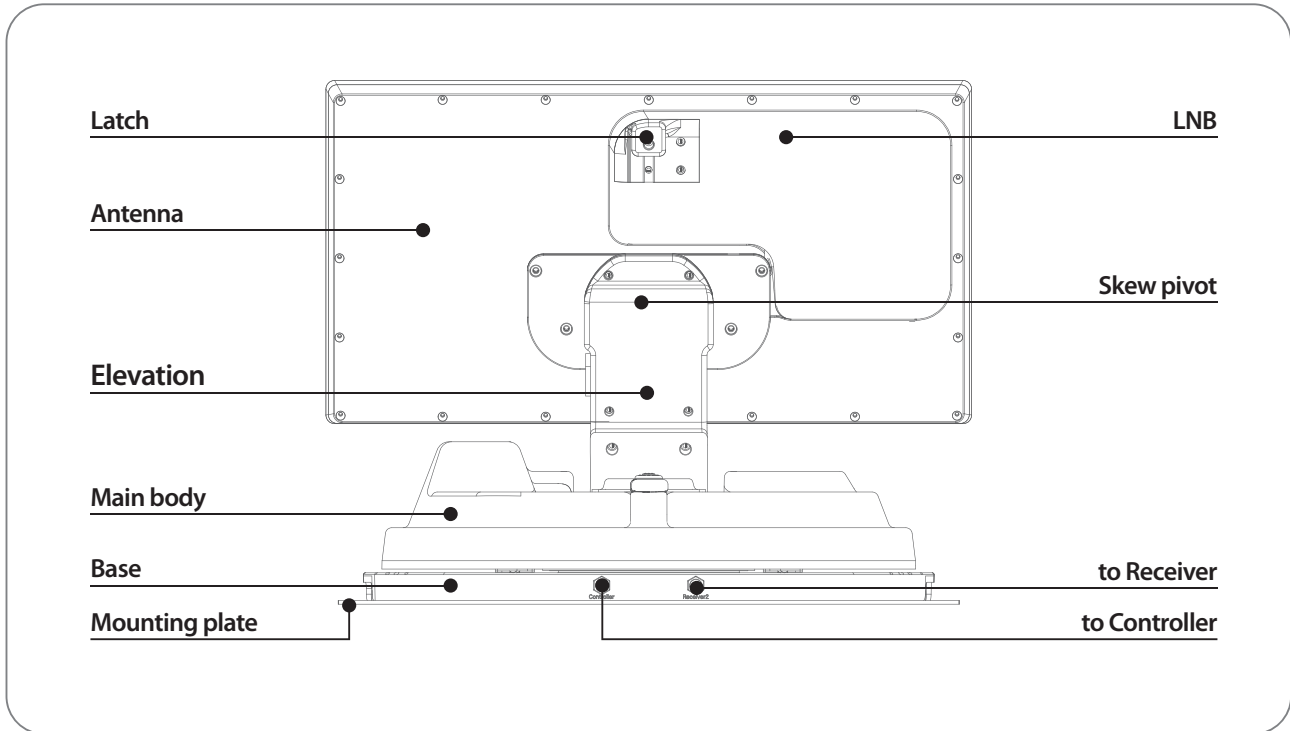


Power adaptor
(Optional)

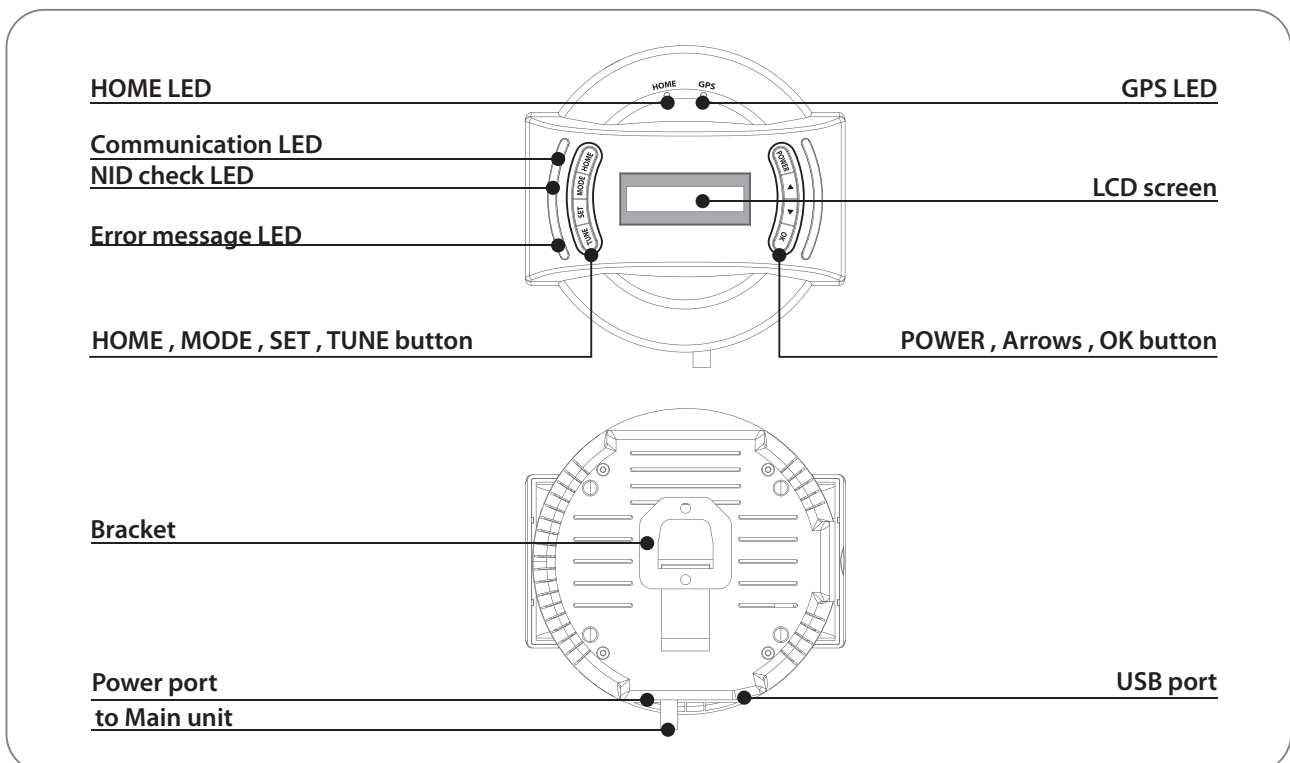
- ※ Power adaptor has to be purchased separate. Please ask to local dealer/shop for more information.
- ※ Only power adaptor produced by SNIPE series manufacturer is guaranteed and has be used.
- ※ Actual components may differ from the above images.
- ※ The unit enables to have power from car battery. To make power input cable for direct connection, cut off cigarette lighter adaptor and peel off to take copper cables out.

2-2. Name of parts

Main unit

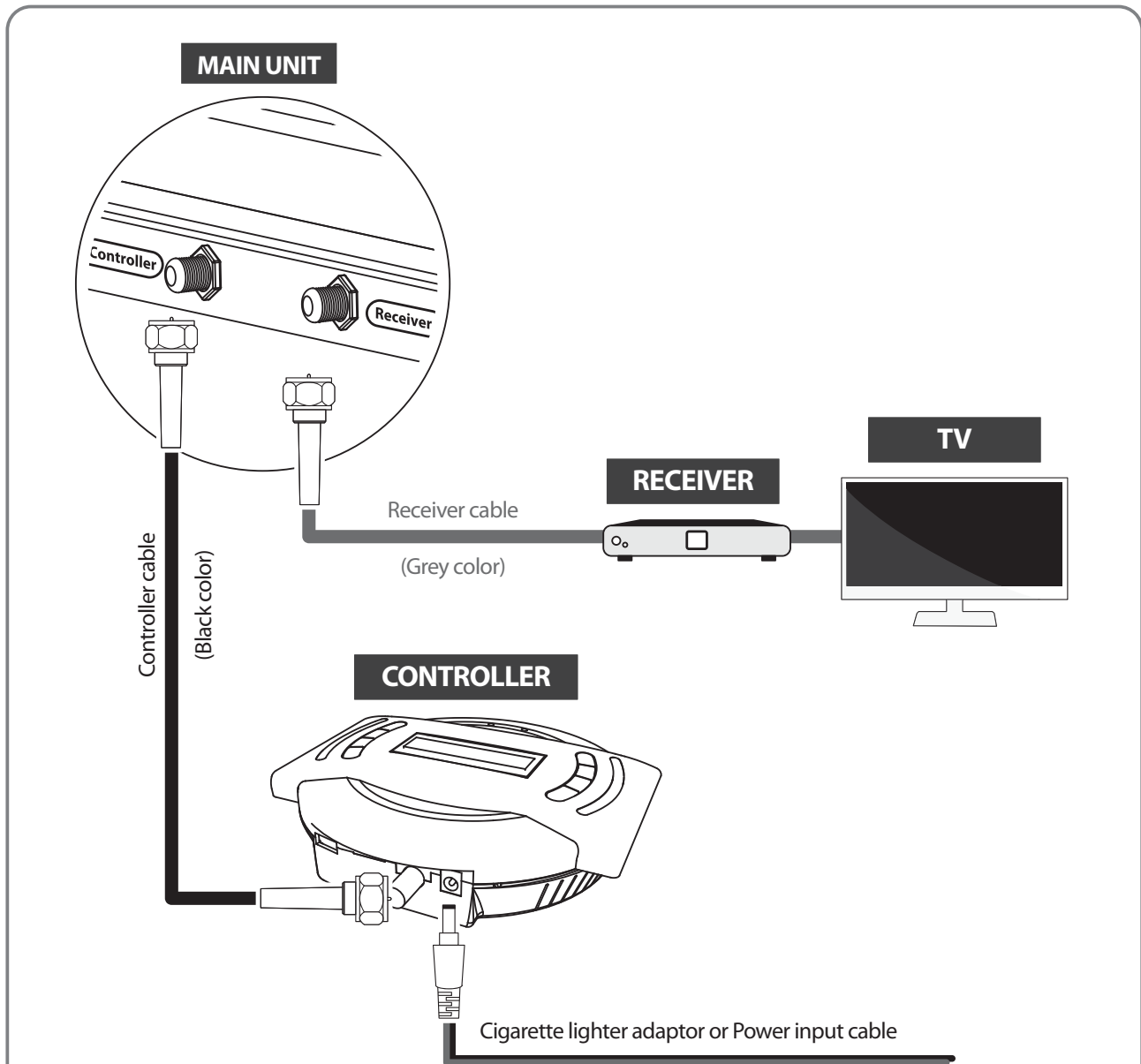


Controller



3. Operating Instruction

3-1. Connection diagram



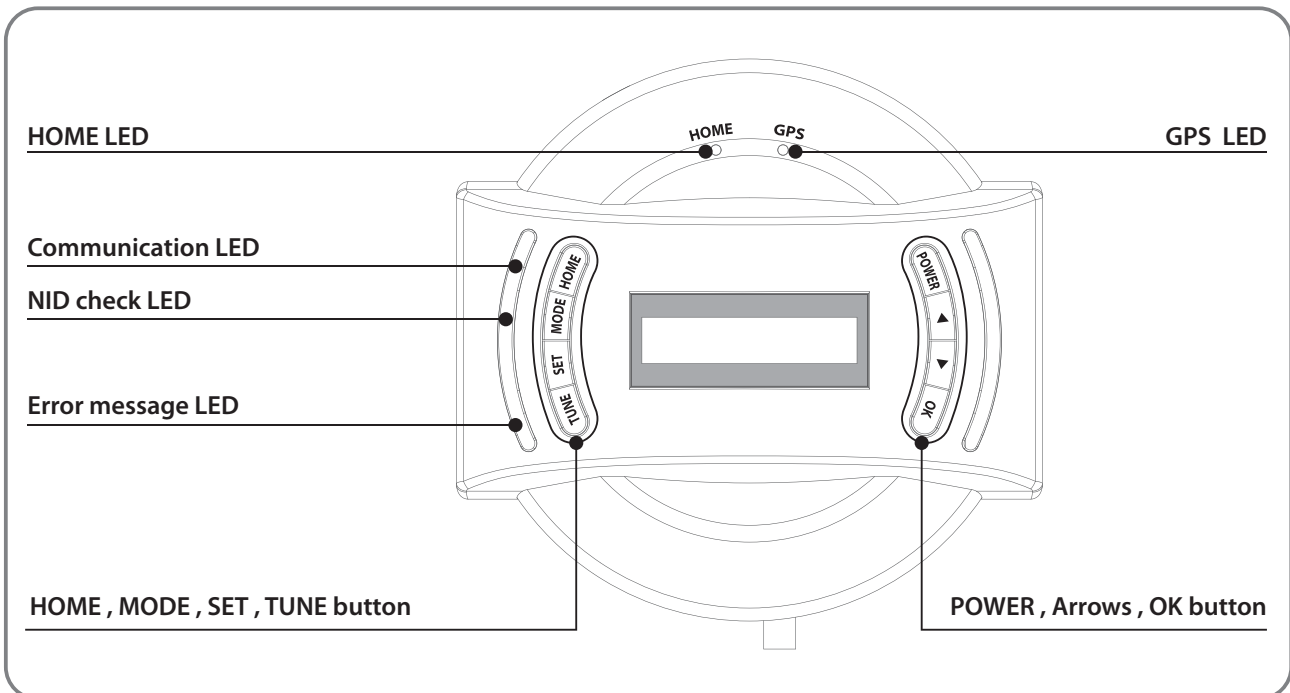
Use black controller cable to connect the antenna to the controller. Controller cable looks similar to the receiver cable but has different color and labeling. Please check the labels to use the correct cable for the job. Please ensure the cables that are supplied are used and not modified in anyway.



Portable use

Attach four(4) base pads to the bottom of antenna base.

3-2. Functional description



1. Get ready to use

- a. When the all cable connections are completed, press POWER to turn the unit on.
- b. HOME LED will be solid this means the antenna is ready to go.
If the antenna did not go back to HOME position, HOME LED will continue to flash while antenna comes back to HOME. When the unit is ready, the default satellite "ASTRA1" or the last selected satellite will be shown on LCD screen of the controller.

NOTE

HOME position is when the antenna completely folded down and facing forward.

- c. Communication LED will be solid when the unit is turned on.
(This light means antenna unit is communicating with controller correctly.)
- d. GPS LED flashes while searching for the current location. When GPS position is confirmed the LED will become solid.
- e. Waiting until both HOME & GPS LED's are solid is recommended as this will allow the unit to find the selected satellite faster with more precise alignment accuracy.
- f. If the searching operation starts before GPS becomes solid GPS LED will continue to flash even when the satellite is already locked. In this case, the unit may readjust skew once its current location is confirmed.

2. Selecting the satellite

- a. Select the satellite which user wants to view using arrow buttons on the controller and press OK.
- b. Network Identification (NID) check LED will flash and the antenna status will display "SEARCHING" and then "CHECKING" on LCD screen.
- c. NID check LED will be solid once the satellite is found and then "SAT FOUND" will appear on LCD.
- d. If wrong satellite is selected, move to the correct satellite name using arrows and press OK to confirm new satellite.

3. Back to HOME position & Turning off

- a. After use and before travelling, press HOME to return the unit back to HOME position.
- b. To fully turn off the unit, press and hold POWER for 5 seconds when the unit is at HOME position.
- c. If user stays in a location for an extended period or wish to save power, user can leave the unit up by simply turning off the unit. Signal will still come through to satellite TV receiver.

4. Special function 1 : FINE TUNE mode

FINE TUNE mode can be initialized when a selected satellite is found and user wants to increase the signal strength further.

- a. Press TUNE to start FINE TUNE mode.
- b. First TUNE is for AZ (Azimuth). Adjust antenna position using arrow buttons to find a new position providing better signal quality and press OK to set. The signal level will be displayed on the controller (Q ___) or satellite receiver.
- c. Repeat the same process of adjust the EL (Elevation) and SK (LNB skew).
- d. To save new position of the satellite and exit, press TUNE button. Saved new position will be placed in the memory for the next turn on. But once vehicle moves or confirms new GPS location, the saved position will be reset.

5. Special function 2 : ERROR MESSAGE

Error message LED will be illuminated and the error message detail will be shown on LCD display, this will detail if there is a problem with main unit.

- i. **HOME POSITION error**
If antenna does not come back to HOME position within the allowed time or the system does not recognise HOME position despite the antenna being back at HOME position (The Limit sensor is faulty).
- ii. **TUNNER error**
If there is no response when searching the satellite due to a faulty tuner or its settings.
- iii. **MOVEMENT error**
If the PRO MAX cannot move to correct position for some reason.
- iv. **COMMUNICATION error**
If connection is lost between the unit and controller that lasts longer than 5 seconds.

6. Special function 3 : TEST mode

TEST mode can be initialised when either an error message is shown or the antenna is at HOME position.

- a. Press MODE once to enter TEST mode and press OK.
- b. Go to the available functions on LCD using the arrow buttons and press OK to select.
- c. To exit, press MODE and unit will return to previous status.

3-3. Quick reference

1. Press POWER to turn on the unit and select a satellite using arrow buttons and press OK.
2. Wait until "SAT FOUND" is displayed on LCD and NID check (second LED on the left side) becomes solid.
3. Now, the selected satellite has been locked and the TV channels will be shown on TV



WARNING

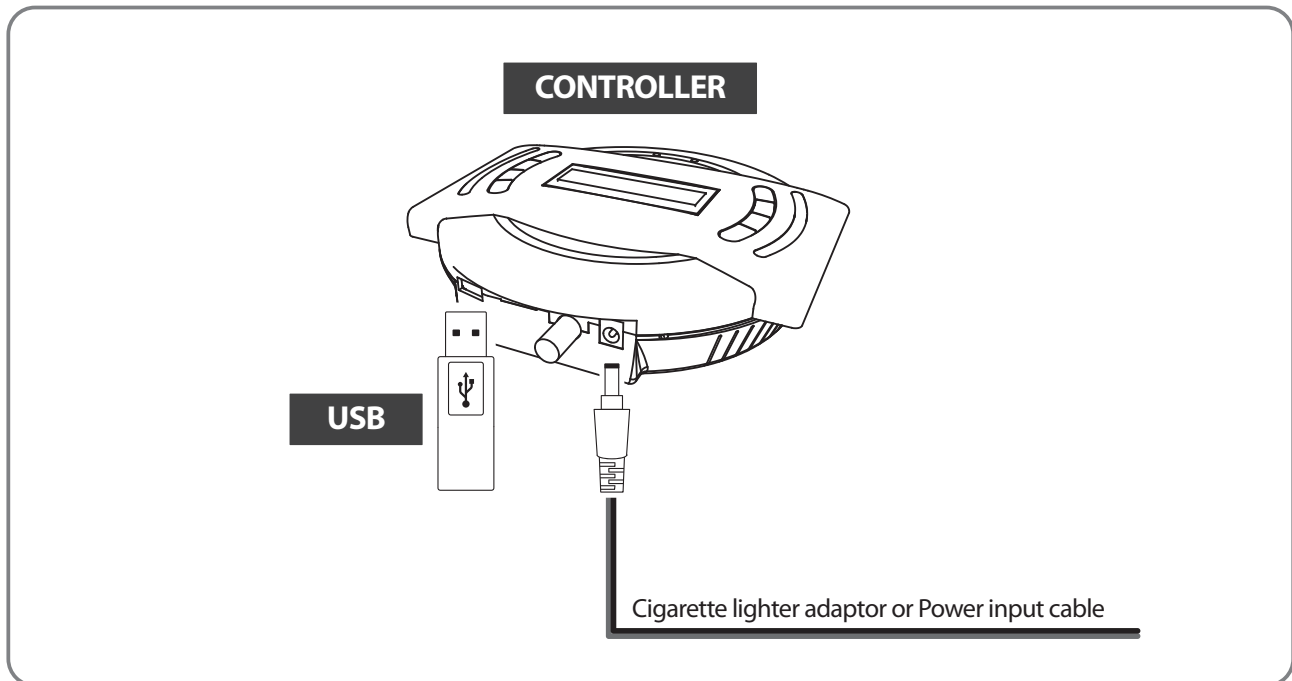
When user physically moves the unit, the unit must be returned to HOME position to prevent damage.



NOTE

The unit will be automatically folded back to HOME position if vehicle moves faster than 25km/h when the unit is powered.

4. Software Upgrade



NOTE

USB 2.0 standard has to be only used for upgrade

1. Transfer software program to a USB root folder (not belonging to any other folder) in an empty USB.
 - i. Please go to website www.selfsat.com to download update program (software).
 - ii. In case a controller does not recognize the USB drive, take the USB out and plug into a PC. Right click USB folder, go to "Properties" and check if the "File system" is FAT32. If not, right click USB folder again, go to "Format" and re-setup a file system to FAT32.
2. Ensure that the unit is turned off and plug the USB into USB port on the side of controller.
3. Press and hold TUNE button then also press the POWER button.
4. Unit will turn on and "USB connected, F/W Update mode" will be shown on LCD.
5. Once "UPGRADE FINISHED" is shown, update is completed, remove the USB device.

5. Advanced Settings

Modify Transponder (TP) mode

- i. Press MODE twice to enter "Modify TP mode" and press OK.

NOTE

To select and set numbers, use arrow buttons to see available options. The numbers adjust individually with the cursor and press OK to move to next option. This function is only used if the satellite operator changes all its parameters.

- ii. Select the satellite to be modified, as example "00 XXXX(satellite name) ~ 11 XXXX" and press OK..
- iii. Select TP number among "00~02" and press OK. (Three TP's are programmed for each satellite)
- iv. Repeat the same process by inputting data for FREQ (frequency) and SYMBOL (symbol rate).
- v. Select type of signal DVBS or DVBS2 and press OK.
- vi. Select polarization VER (vertical) or HOR (horizontal) and press OK.
- vii. Select YES or NO to save and/or go back to first stage of TP Modify.
- viii. To exit, press MODE and the unit will return to previous status.
- ix. For manual TP data RESET, press SET and select YES and then press OK. Restart the unit to apply the reset to your next start up.

6. Trouble Shooting

There are a number of common issues that can affect the signal reception quality or the operation of the unit. The following sections address these issues and potential solutions.

A. No function when power on the controller

- i. Check again all the cable connections have been made correctly.
 - Connection between the power and controller.
 - Connection between the controller and antenna. Make sure that the left port of the antenna should be connected to the controller.

- ii. Check if the power input cable has been damaged.

- iii. Check the battery polarities (+/-).

B. Fail to search the selected satellite

- i. Satellite signals can be blocked or degraded by buildings, trees. Make sure there are no obstructions in a southward direction.

- ii. Select another satellite as example Astra3, if this locks then select your desired satellite. ie Astra1.

- iii. Turn the unit off and then back on again and select desired satellite.

C. Mechanical problems

- i. If the antenna does not move into desired position.
 - Try to power OFF/ON again.

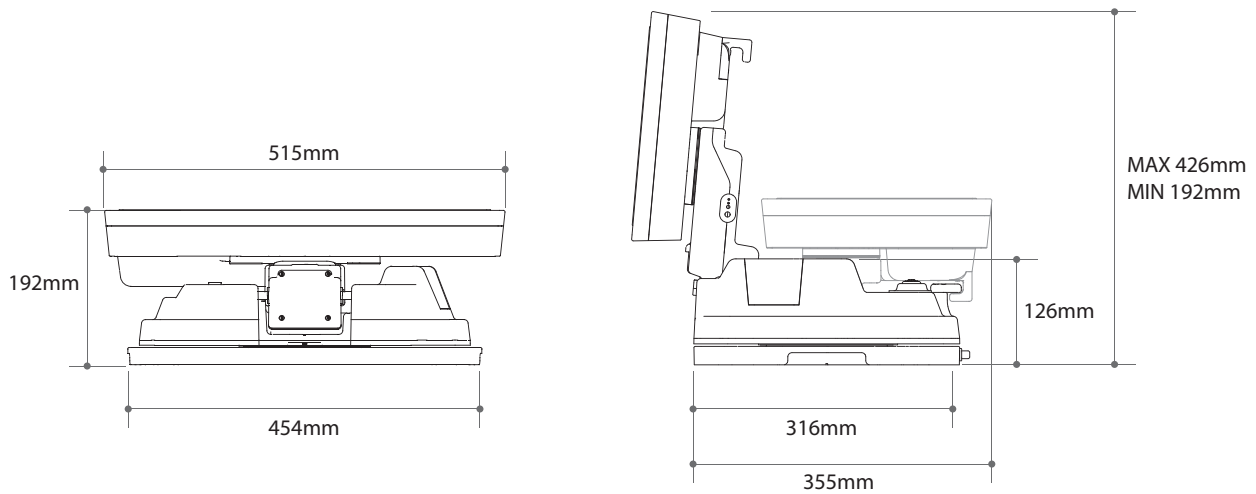
- ii. If the antenna makes a noise whilst remaining static.
 - Try to power OFF/ON again. If problem persists, please contact local dealer/shop for assistance.

D. Other issues

- i. If the system has been improperly wired, it will not operate properly. Contact local dealer/shop for assistance of cable damage.

7. Specifications

7-1. Dimension



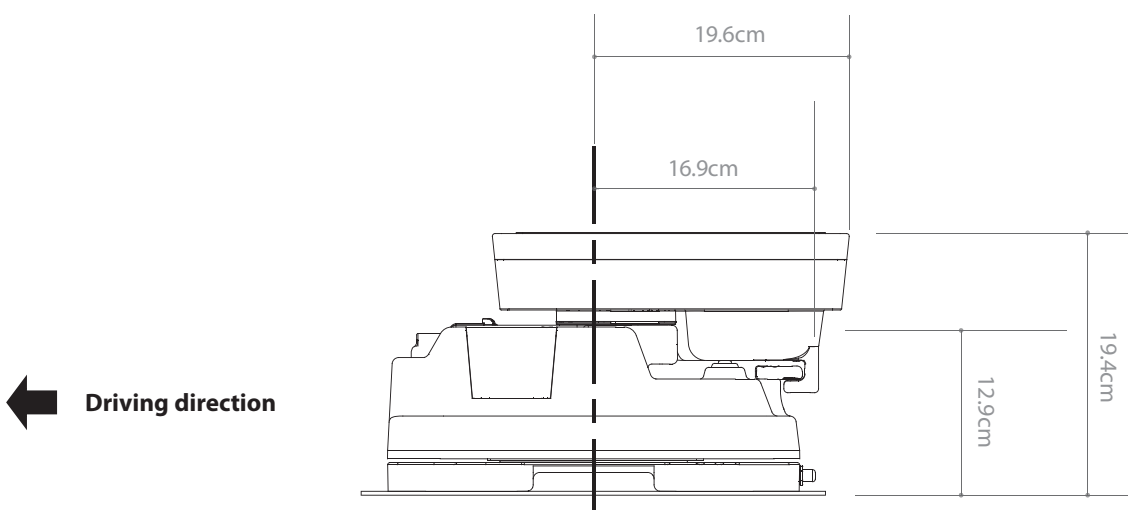
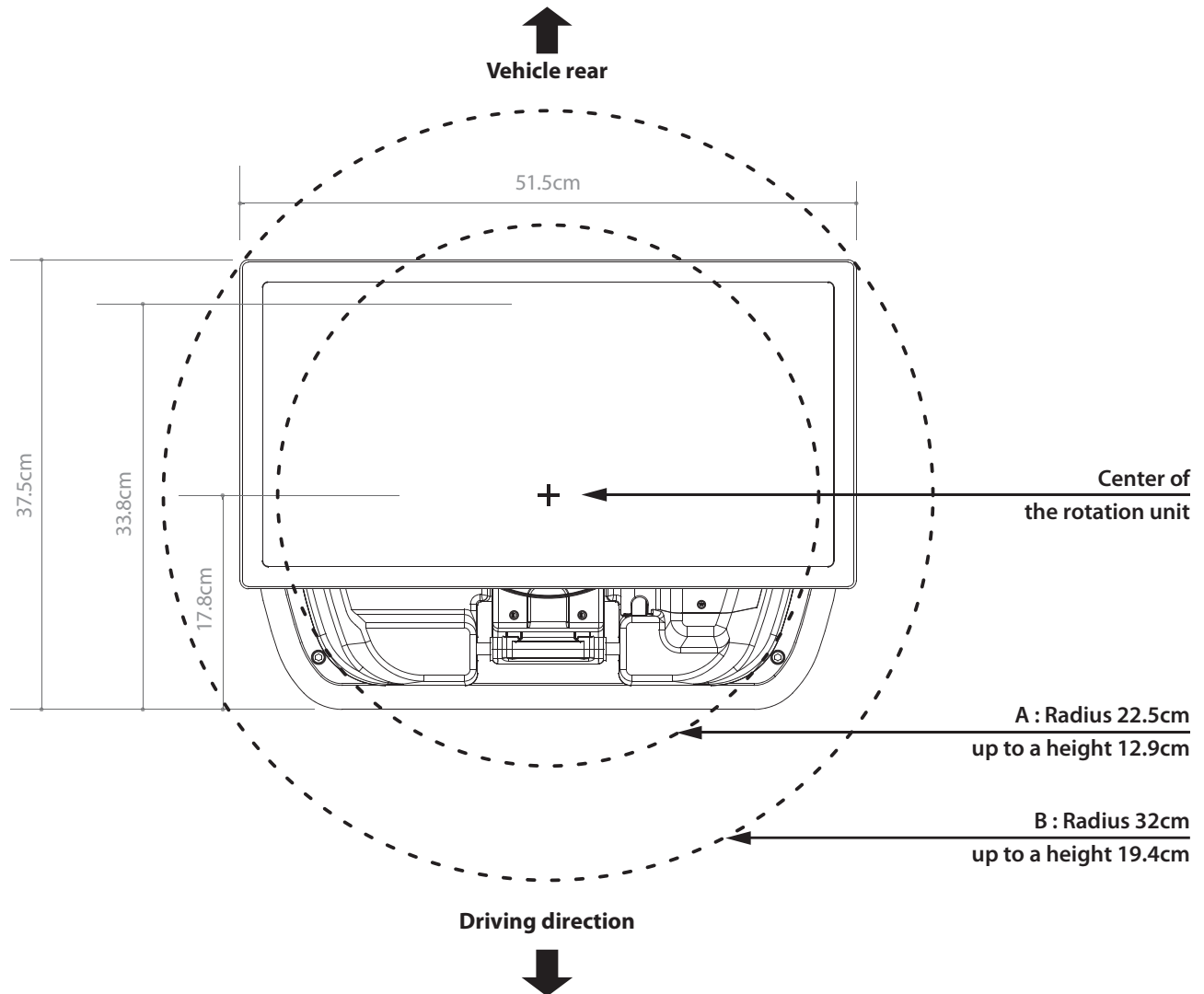
7-2. Specifications

Input Satellite Frequency	10.7 ~ 12.75 GHz	
Polarization	Vertical & Horizontal	
Antenna Gain	33.7 dBi @ 12.7 GHz	
Size (W x D x H)	515 x 355 x 192 mm	
Weight	10.1 kg	
Min EIRP	50 dBW	
Angle Range (Elevation , Azimuth , Skew)	15° ~ 90° , 360° , -45° ~ +45°	
Satellite Searching Time	120 seconds (AVG)	
Output	1 / 2 output (Optional)	
LNB	Output Frequency	950 ~ 2,150 MHz
	L.O. Frequency	9.75 / 10.6 GHz
Operating Temperature	-30 °C ~ +60 °C	
Input Voltage	DC 12 ~ 24 V	
Power Consumption	30 W (in searching)	

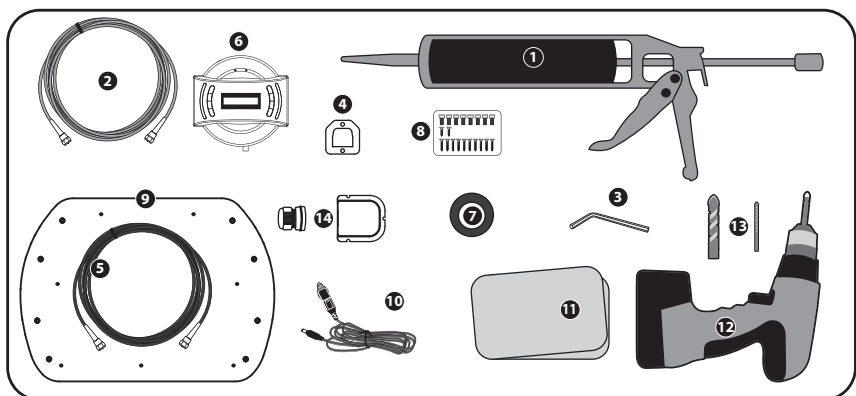
8. Caravan/Motorhome Installation

8-1 . Required space for SNIPE2

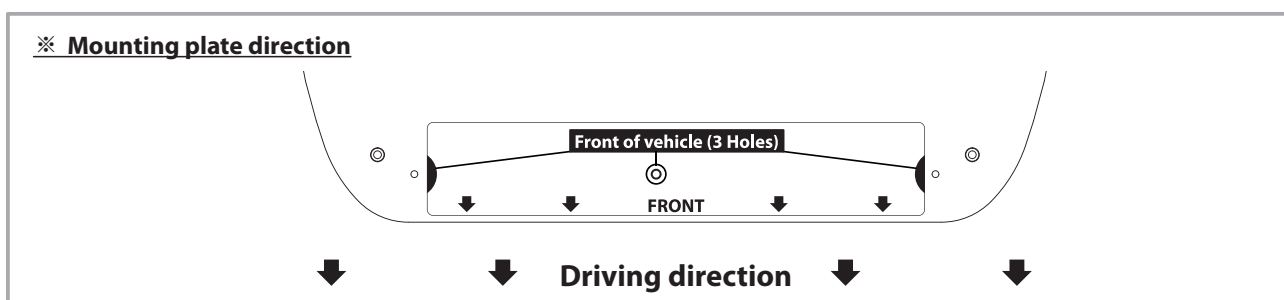
Please allow that there is enough space around SNIPE2 for flat antenna section to complete a full 360° scan of the sky and return to the HOME position.



8-2. Equipment for installation

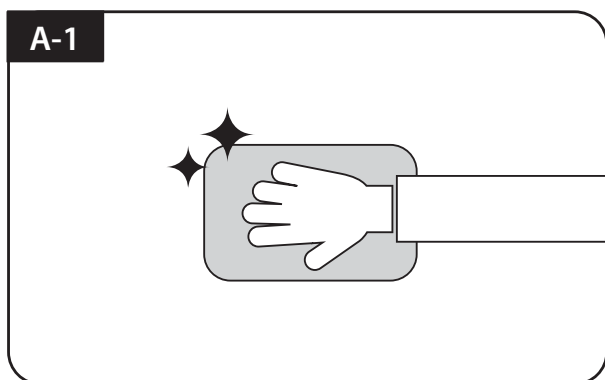


- 1 Silicone
- 2 Receiver cables
- 3 Allen wrench
- 4 Controller bracket
- 5 Controller cable
- 6 Controller
- 7 Friction tape
- 8 M6 × 15(8) , M4 × 16(2) , M4 × 20(10)
- 9 Mounting plate
- 10 Cigarette lighter adaptor (Power input cable)
- 11 Cleaner
- 12 Power drill
- 13 2mm drill bit, over 20mm drill bit
- 14 Cable holder & gland

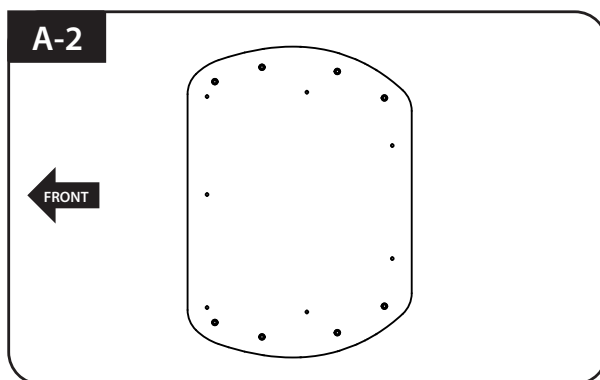


8-3. Instruction for installation

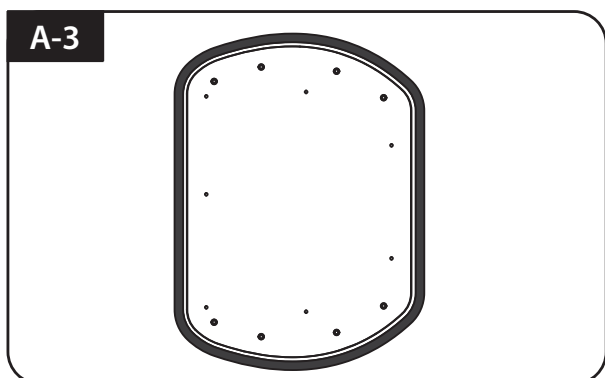
A. Mounting plate installation on a vehicle roof



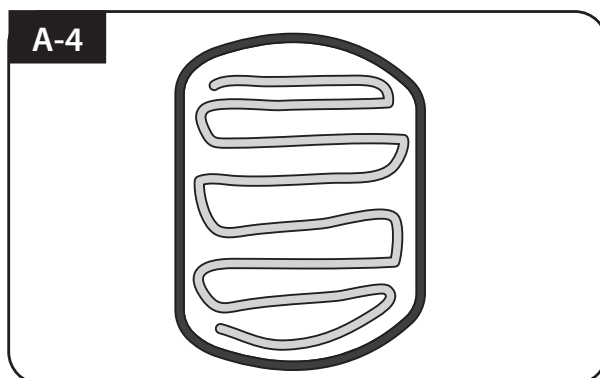
Clean the surface with cleaner



Locate mounting plate in the center of the vehicle roof

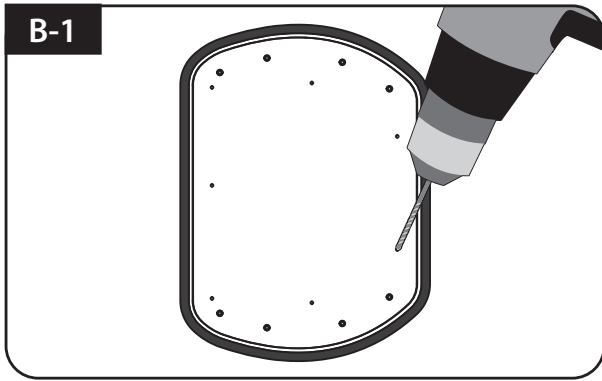


Attach friction tape outside of the mounting plate by 5mm away from the plate edges

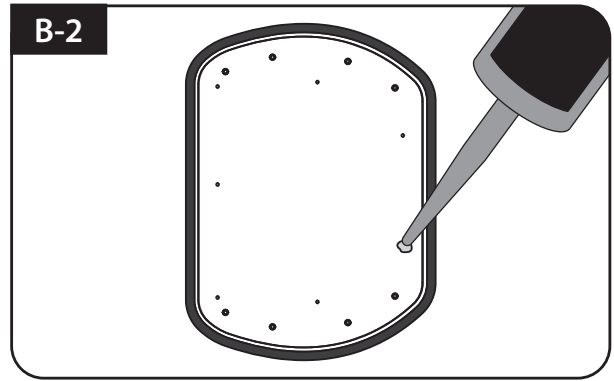


Put aside the mounting plate to apply silicone within the attached tape line but leave 2cm inward gap from the line

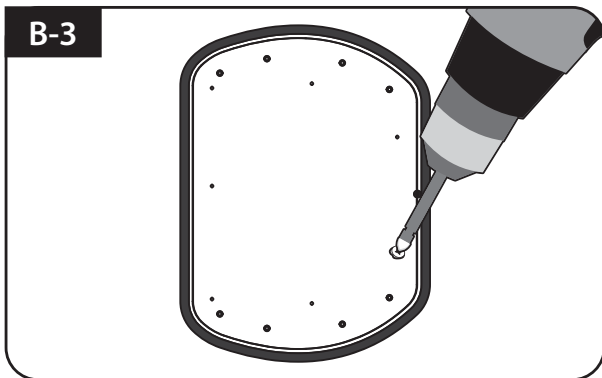
B. Assemble 7pcs of M4x20 bolt to fix the mounting plate



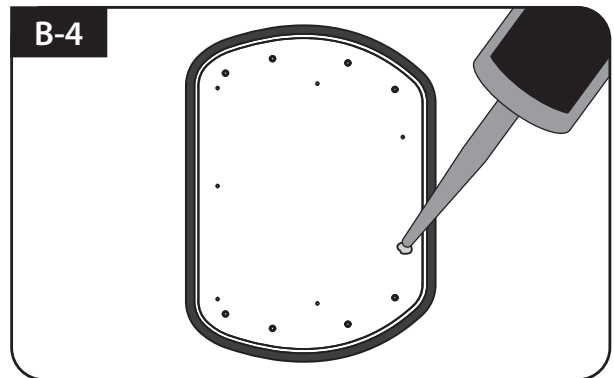
Place the mounting plate on the silicone and make 7 holes (2mm) with a power drill



Apply silicone on the holes

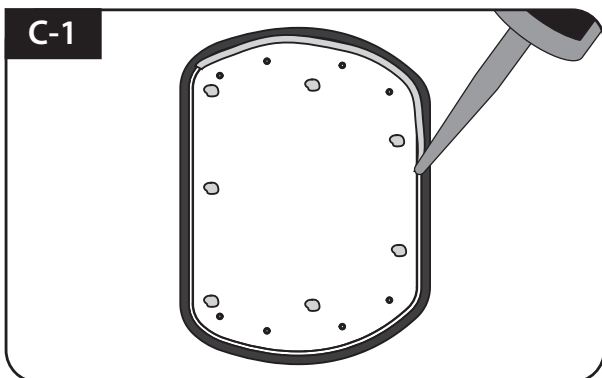


Assemble seven(7) of M4x20 screw

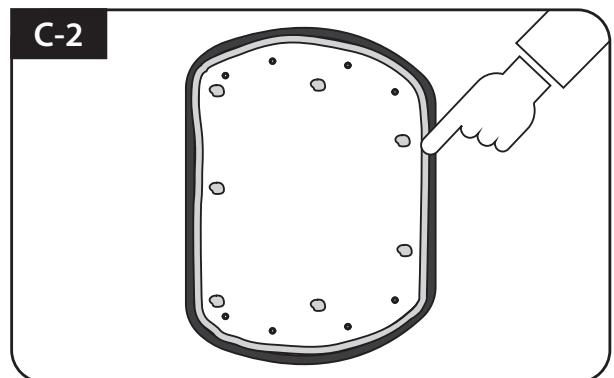


Re-apply silicone to cover bolts assembled

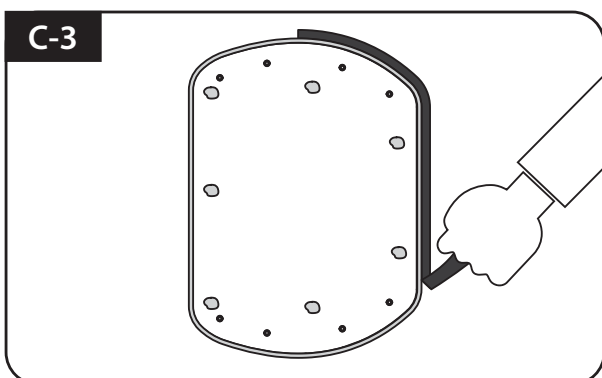
C. Apply silicone between mounting plate and friction tape



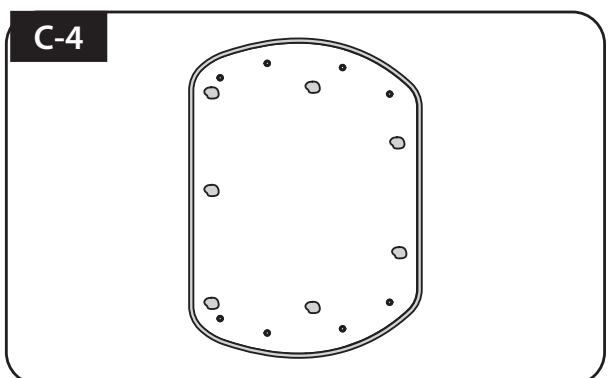
Apply silicone around mounting plate edges



Tidy silicone surface



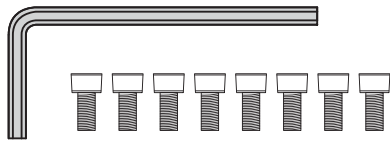
Remove friction tape and allow to dry



Prepare to place the antenna on to the upright bolts

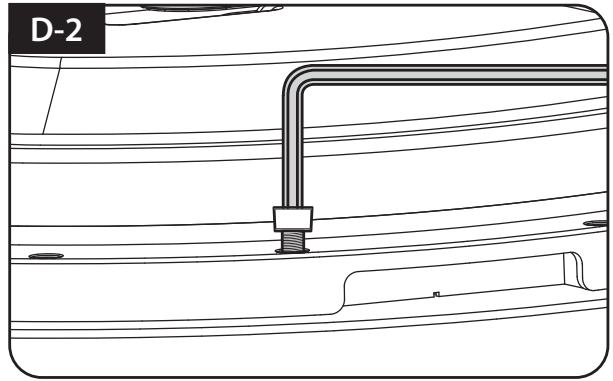
D. Fix mounting plate with 8 pcs of M6x15 bolt using allen wrench

D-1



Parts required, allen wrench and eight(8) of M6x15 bolt

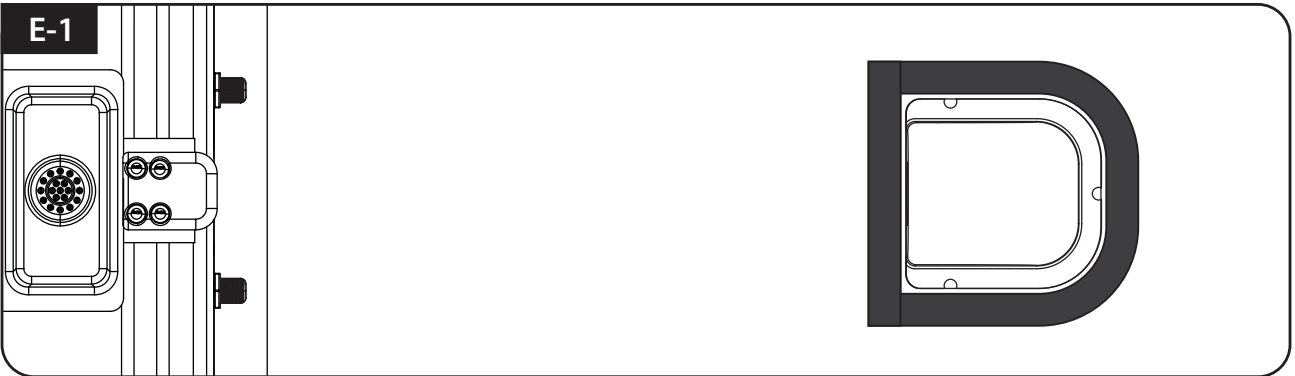
D-2



Place the antenna on mounting plate and tighten firmly each bolt by allen wrench

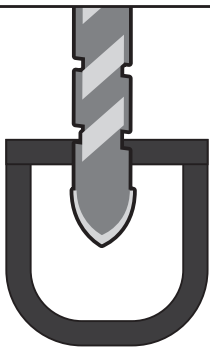
E. Cable holder installation 1

E-1



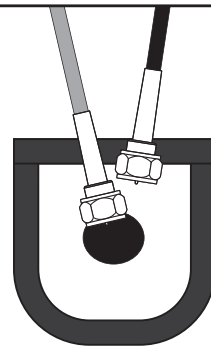
Place cable holder 30cm away from the rear center of the antenna. Apply friction tape 5mm from away the outside of holder

E-2



Drill a 20mm hole (or larger) in the center of the tape marking

E-3



Make sure that hole size is big enough to insert all cables together by one and one

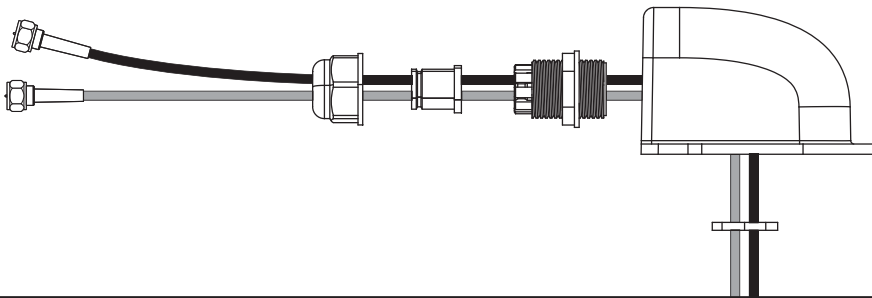
F. Cable holder installation 2

F-1



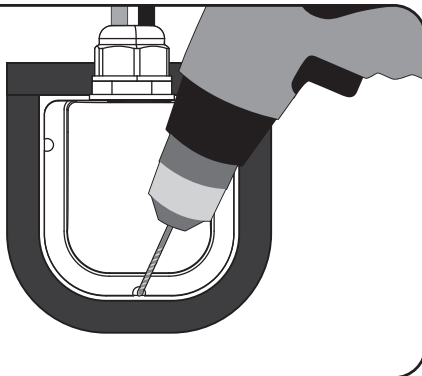
Controller cable, receiver cable, cable holder and gland are required

F-2



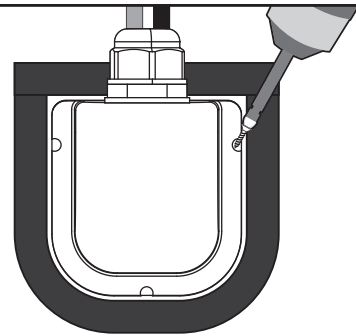
Set up required parts as above picture

F-3



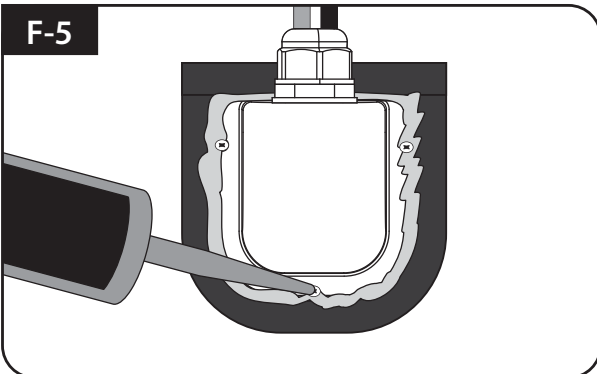
Place the assembled cable holder inside the tape marking and drill three(3) of 2mm holes

F-4



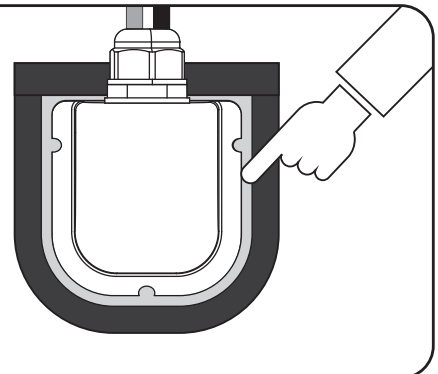
Fix cable holder on the vehicle roof with three(3) of M4 x 20 screws on drill holes made

F-5



Apply silicone around cable holder and on the top of screws for waterproof

F-6



Connect cables to the ports of the antenna , remove friction tape and tidy silicone before dry

G. Controller installation

G-1



Get cigarette lighter adaptor (power input cable)

G-2



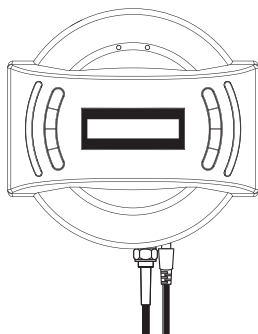
Fix controller bracket where it should be fixed using two(2) of M4x16 screw

NOTE



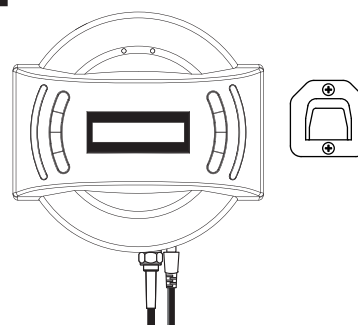
The unit enables to have power from car battery. To make power input cable for direct connection, cut off cigarette lighter adaptor and peel off to take copper cables out.

G-3



Connect power-controller-antenna using cigarette lighter adaptor and controller cable

G-4



Place controller on fixed bracket

Inhaltsverzeichnis

1. Allgemeine Informationen

1-1. Produktvorstellung	2
1-2. Bestimmungsgemäße Verwendung	3
1-3. Sicherheitsanweisungen	3

2. Verpackungsinhalt

2-1. Lieferumfang	4
2-2. Teilebezeichnung	5

3. Bedienungsanweisungen

3-1. Anschlussdiagramm	6
3-2. Funktionsbeschreibung	7
3-3. Kurzanleitung	9

4. Program-Upgrade

10

5. Erweiterte Einstellungen

11

6. Störungsbehebung

12

7. Technische Daten

7-1. Abmessungen	13
7-2. Technische Daten	13

8. Wohnwagen / Wohnmobil Installations

8-1. Platzbedarf für die Installation	14
8-2. Ausrüstung für die Installation	15
8-3. Installation	15

1. Allgemeine Informationen

1-1. Produktvorstellung

Die Betriebsanleitung beschreibt die Funktion und Bedienung des automatischen, selbstnachführenden Satelliten-Systems SNIPE2.

Der korrekte und sichere Betrieb des Systems ist nur gewährleistet, wenn die folgenden Anweisungen für Installation und Betrieb befolgt werden.

SNIPE2 ist ein intelligentes Satellitenempfangssystem, das sich automatisch auf die gespeicherten Satelliten ausrichten kann, sofern es sich in der Ausleuchtzone befindet.

Da die Nachführfunktion mit einer schlanken und agilen Antenne durchgeführt wird, weist SNIPE2 einen geringen Platzbedarf auf.

Für den allgemeinen Betrieb, stellen Sie bitte sicher, dass das System immer eine klare Sicht auf den Himmel. Wenn der Satelliten-Signal-Strahl durch Hindernisse wie Berge, Gebäude oder Bäume unterbrochen wird, wird das Gerät nicht funktionieren und kein TV-Signal empfangen werden.

Für weitere Informationen zur allgemeinen Verwendung dieses Geräts wenden Sie sich an örtlichen Händler.

1-2. Bestimmungsgemäße Verwendung

Das vorliegende Produkt wurde für einen mobilen Einsatz und für eine Festinstallation auf einem Fahrzeug mit einer Höchstgeschwindigkeit von weniger als 130 km/h konzipiert. Das Antenne ist so programmiert, dass automatisch bei geostationären Fernsehsatelliten zielen SNIPE2 kann mit einer Standard-Fahrzeugspannung von 12 oder 24V versorgt werden.

Zur Montage auf dem Fahrzeug verwenden Sie das Stromversorgungskabel (Zigarettenanzünder) zur Stromversorgung. Für den mobilen Einsatz muss der optionale Stromadapter, der vom SNIPE2 Hersteller produziert, verwendet werden.

Das vorliegende Produkt darf nur für den in dieser Anleitung beschriebenen Zweck verwendet werden.

Beachten Sie bitte folgende Hinweise des Herstellers:

- Es ist nicht möglich bei diesem Produkt Komponenten hinzuzufügen oder zu entfernen.
- Es dürfen keine anderen Komponenten, als ursprünglich geliefert, verwendet werden.
- Um die Installation abzuschließen strikt befolgen Sie alle Installationsanleitung in der mitgelieferten Bedienungsanleitung. Die Nichtbeachtung der Bedienungsanleitung kann zu Schäden an dem Gerät oder Fahrzeug führen.
- Das Produkt erfordert keine regelmäßige Wartung; alle Arbeiten müssen in einem zugelassenen Service Center durchgeführt werden.
- Alle relevanten Richtlinien der Automobilindustrie müssen beachtet und eingehalten werden.
- Das Produkt darf nur auf soliden Fahrzeugdächern montiert werden.
- Falls SNIPE2 auf einem Fahrzeug angebracht ist, ist es zu vermeiden, das Fahrzeug in einer Bürstenwaschanlage, Waschstraße oder mit Hochdruckreinigern zu waschen.

1-3. Sicherheitsanweisungen

Bitte lesen Sie sorgfältig die Bedienungsanleitung und befolgen Sie die Anweisungen in diesem Handbuch und verwenden SNIPE2 für den vorgesehenen Zweck.

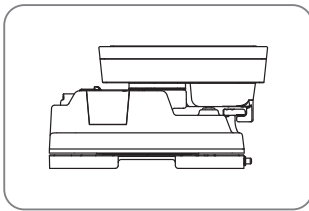
Stellen Sie bei der Montage SNIPE2 bitte sicher, dass die Montage mit den mitgelieferten Kabel erfolgt, und dass diese Kabel nicht in irgendeiner Weise verändert wurden.

Falls das Gerät im Ausland betrieben wird, beachten Sie bitte die dafür geltenden gesetzlichen Bestimmungen. Sie übernimmt als Nutzer des Geräts die Verantwortung dafür, das Gerät in Beachtung der relevanten Gesetze und Vorschriften zu betreiben.

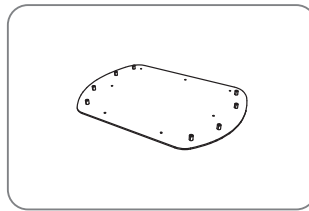
Der Hersteller haftet nicht für Verluste oder Schäden, die durch Anschluss an ungeeigneten Stromquellen, Einsatz falscher Anschlusskabel oder unsachgemäße Installation mittelbar oder unmittelbar an dem Gerät, Fahrzeug oder anderen Geräten entstanden sind.

2. Verpackungsinhalt

2-1. Lieferumfang



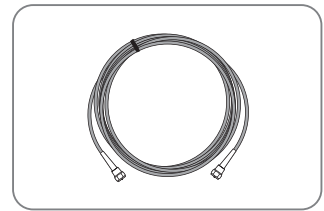
Haupteinheit



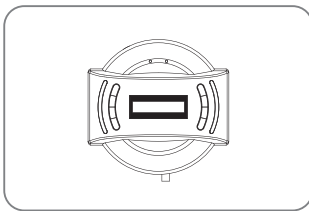
Befestigungsplatte



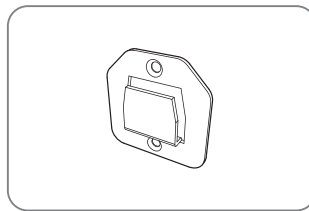
Zigarettenanzünder-Kabel



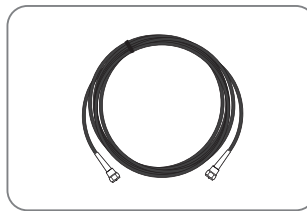
Empfängerkabel -12m , Graue
(x2 für 2 Ausgänge)



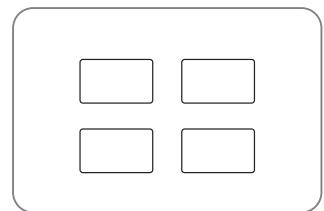
Controller



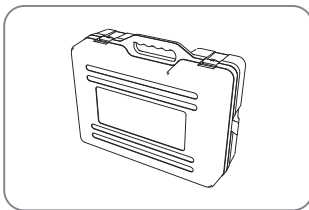
Controller halterung



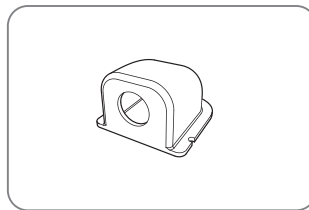
Controllerkable - 12m , Schwarze



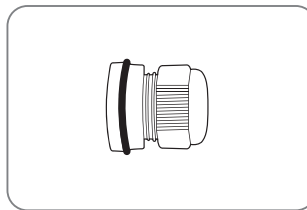
Basispolster



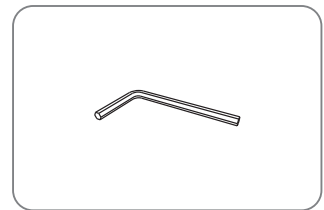
Transportkoffer



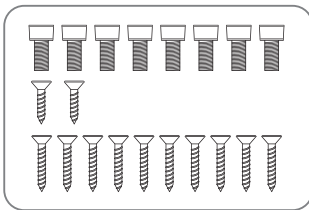
Kabelhalter



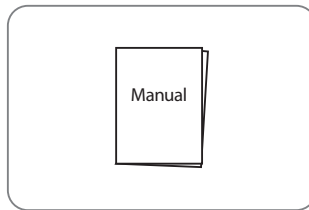
Kabelverschraubung



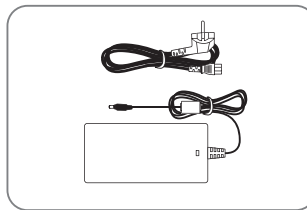
Inbusschlüssel



M6 × 15(8),
M4 × 16(2), M4 × 20(10)



Bedienungsanleitung

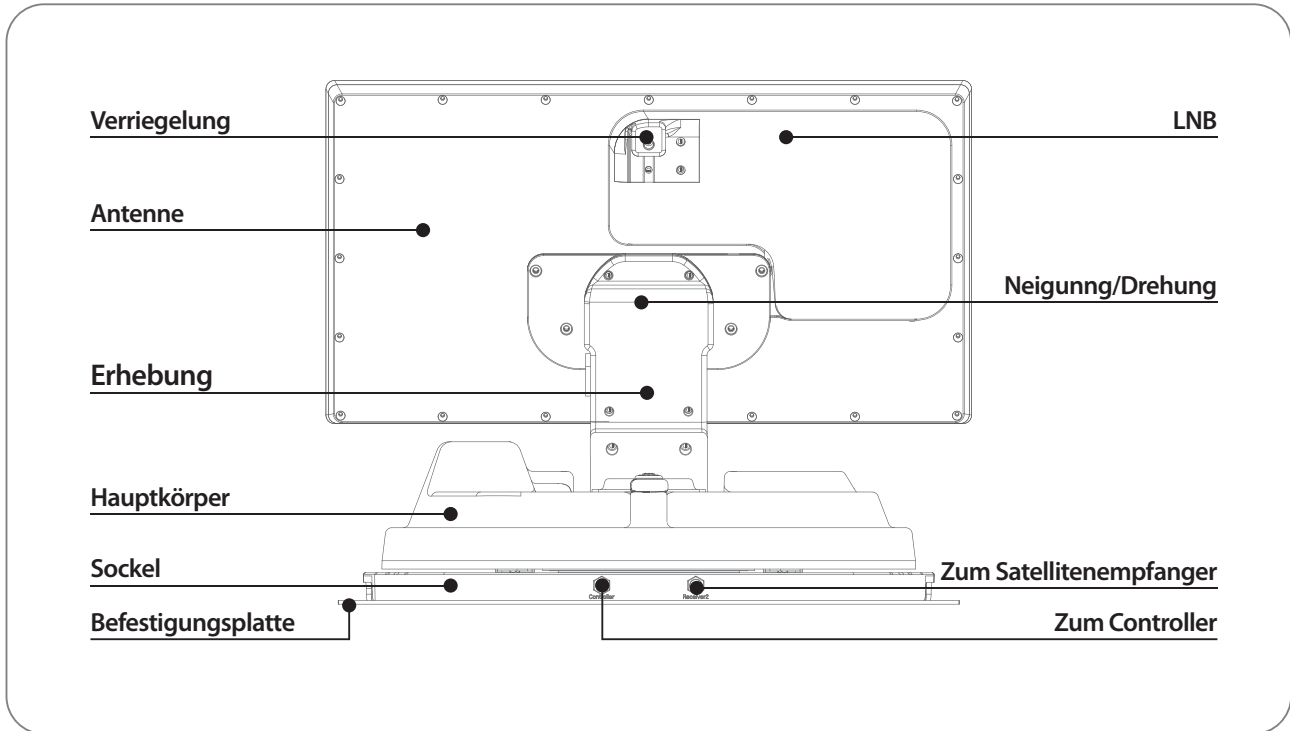


Netzteil
(Optional)

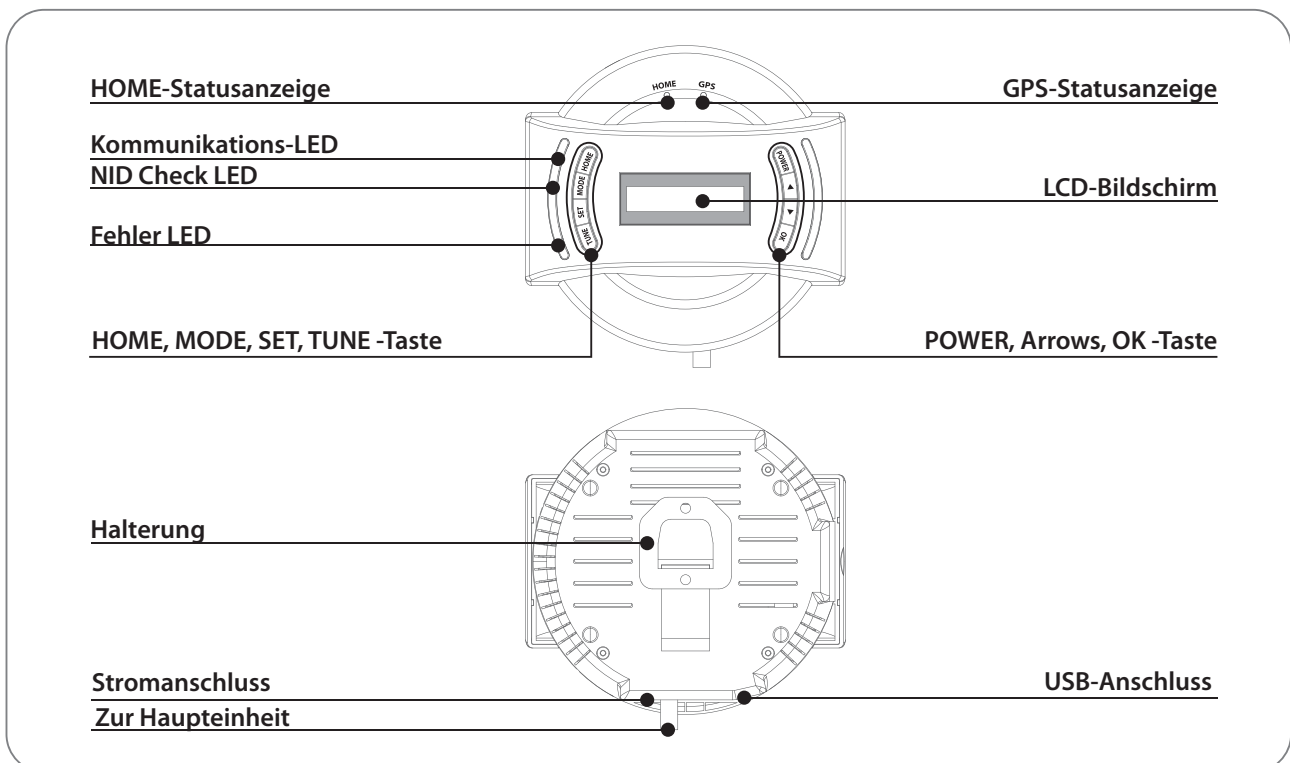
- ※ **Netzteil muss separat erworben werden. Bitte fragen Sie lokalen Händler/Laden für weitere Informationen**
- ※ **Nur ein Netzteil des Herstellers der SNIPE Serie stellt die korrekte Funktion sicher und sollte verwendet werden.**
- ※ **Die tatsächlichen Komponenten können sich von den obigen Bildern unterscheiden.**
- ※ **Das Gerät kann mit einer Autobatterie versorgt werden. Um ein Kabel für die Stromversorgung herzustellen, schneiden Sie den Zigarettenanzünder ab und entfernen die Isolierung der Kupferkabel.**

2-2. Teilebezeichnung

Haupteinheit

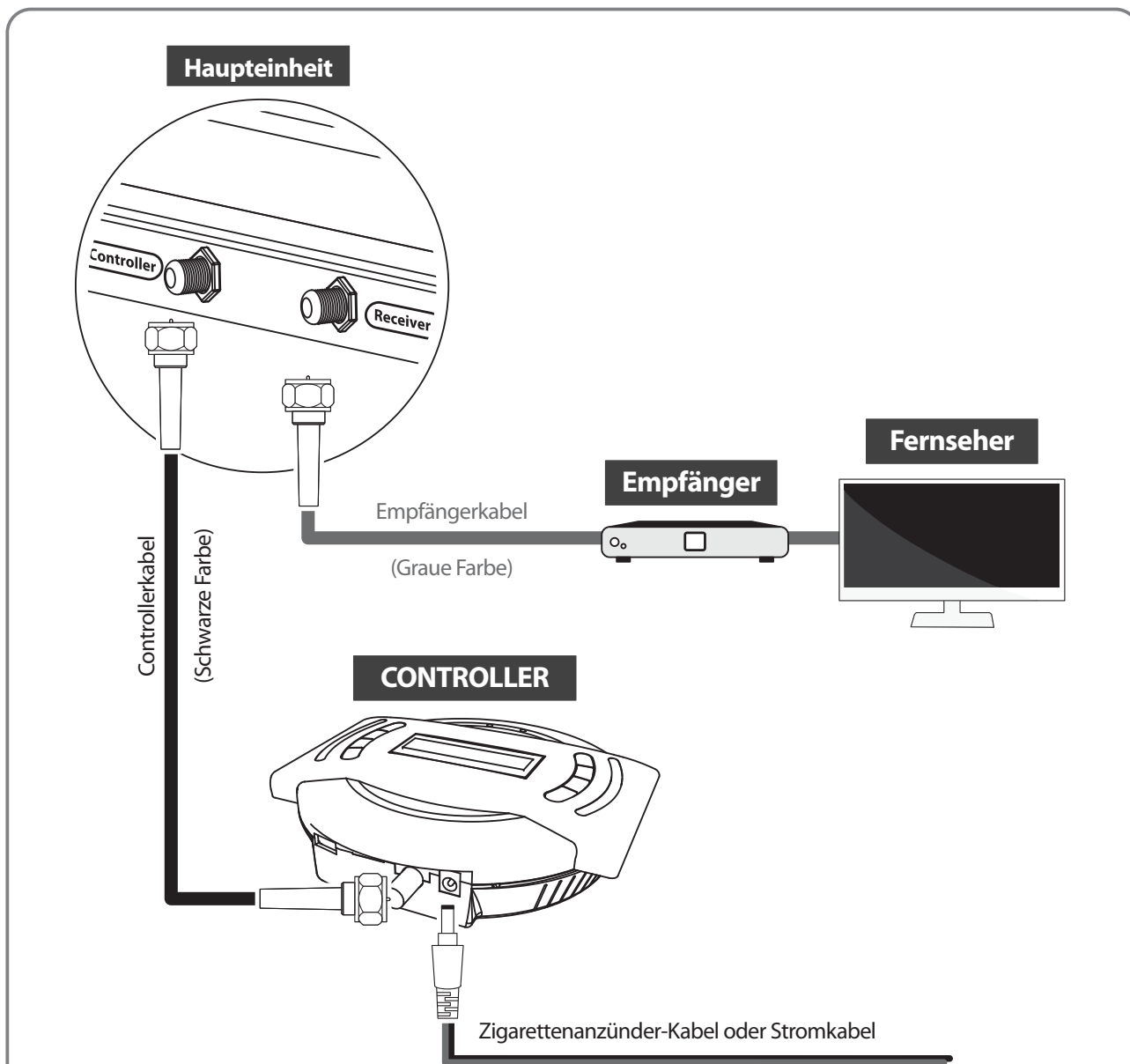


Controller



3. Bedienungsanweisungen

3-1. Anschlussdiagramm



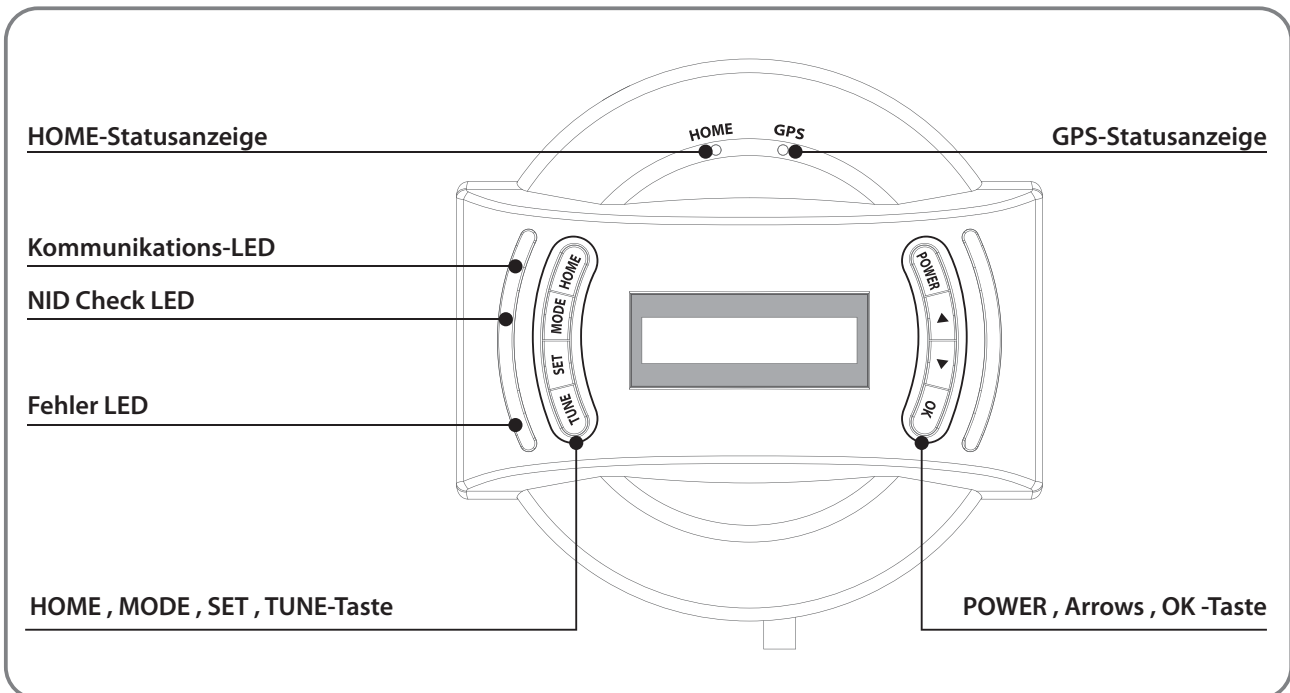
Verbinden Sie die Antenne mit dem controller über das schwarze controllerkabel. Beim Anschließen müssen Sie auf die Beschriftung und die Farbe der Kabel achten, weil die beiden Kabel die gleiche Form aufweisen. Bitte überprüfen Sie anhand der Etiketten, dass Sie die richtigen Kabel verwenden. Bitte stellen Sie sicher, dass die mitgelieferten Kabel verwendet werden und in keiner Weise modifiziert sind.



Mobiler Einsatz

Bringen 4 Basispolster an der Bodenplatte

3-2. Funktionsbeschreibung



1. Vorbereitung

- Wenn alle Kabel angeschlossen sind, drücken Sie die Taste POWER, um das Gerät einzuschalten.
- Die HOME LED leuchtet dauerhaft auf. Dies bedeutet, dass die Antenne bereit ist. Wenn die Antenne nicht zurück in die Ausgangsposition gefahren ist, wird die HOME-LED blinken, bis die Antenne die Ausgangsposition erreicht. Wenn das Gerät bereit ist, wird der standardmäßige Satellit "ASTRA1" oder der zuletzt gewählte Satellit auf dem LCD-Bildschirm des Controllers angezeigt.

Hinweis

Ausgangsposition bedeutet, dass die Antenne vollständig umgeklappt und nach vorne gerichtet ist.

- Die Kommunikations-LED leuchtet dauerhaft, wenn das Gerät eingeschaltet ist. (Die Lampe zeigt an, dass die Antenne korrekt mit dem Controller kommuniziert.)
- Die GPS-LED blinkt während der Suche nach der aktuellen Position. Wenn die GPS-Position gefunden wurde, leuchtet die LED permanent.
- Es wird empfohlen zu warten, bis HOME & GPS-LEDs permanent aufleuchten, weil dies dem Gerät erlaubt den gewählten Satelliten schneller und mit präziserer Ausrichtungsgenauigkeit zu finden.
- Wenn die Suche beginnt, bevor die GPS-LED dauerhaft leuchtet, wird die GPS-LED weiterhin blinken, auch wenn der Satellit bereits erfasst wurde. In diesem Fall kann das Gerät die Schräglage nachstellen, wenn seine aktuelle Position bestätigt wurde.

2. Auswahl des Satelliten

- a. Wählen Sie den Satelliten, den Sie sehen möchten, indem Sie die Pfeiltasten auf dem Controller verwenden und bestätigen anschließend mit OK.
- b. Netzwerk-ID (NID) Check-LED wird anfangen zu blinken und der Antennenstatus zeigt "SUCHEN" an und daraufhin "ÜBERPRÜFEN" auf dem LCD-Bildschirm.
- c. Die NID Check-LED leuchtet dauerhaft sobald der Satellit gefunden wurde und daraufhin erscheint "SAT GEFUNDEN" auf der LCD-Anzeige
- d. Wenn den falschen Satelliten ausgewählt, wählen Sie den richtigen Satellitenamen mit den Pfeiltasten und drücken Sie die Taste OK zur Bestätigung des neuen Satelliten.

3. Zurück zur Ausgangsposition & Ausschalten

- a. Nach Gebrauch und vor dem Reisen, drücken Sie HOME, um die Einheit wieder in Ausgangsposition zu bringen.
- b. Um das Gerät vollständig auszuschalten, drücken Sie auf HOME und dann halten POWER 5 Sekunden lang gedrückt.
- c. Wenn der Benutzer an einem Ort bleibt für einen längeren Zeitraum oder wollen um Strom zu sparen, kann der Benutzer das Gerät durch einfaches Drehen Sie das Gerät verlassen.. Das Signal wird weiterhin zu Ihrem Satelliten-TV-Empfänger kommen.

4. Spezialfunktion 1 : Feinabstimmungsmodus

Der Feinabstimmungsmodus kann initialisiert werden, wenn der gewählte Satellit gefunden wurde und Benutzer die Signalstärke weiter erhöhen möchten.

- a. Drücken Sie TUNE zum Starten des Feinabstimmungsmodus.
- b. Das erste TUNE ist für AZ (Azimut). Verändern Sie die Antennenposition mithilfe der Pfeiltasten, um eine neue Position zu finden, die bessere Signalqualität bietet und drücken anschließend OK. Der Signalpegel wird auf dem Controller (Q ___) oder auf dem Satellitenempfängers angezeigt.
- c. Wiederholen Sie den Vorgang zur Veränderung von EL (Höhe) und SK (Schräglage).
- d. Zum Speichern der neuen Position des Satelliten und beenden, drücken die Schaltfläche TUNE. Die gespeicherte neue Position wird im Speicher abgelegt für das nächste Einschalten. Aber sobald sich Fahrzeug bewegt oder eine neue GPS-Position festgestellt wurde, wird die gespeicherte Position zurückgesetzt.

5. Spezialfunktion 2: Fehlermeldung

Die Fehler-LED leuchtet auf und die Details der Fehlermeldung werden auf der LCD-Anzeige angezeigt. Hier wird dann erläutert, ob es ein Problem mit dem Hauptgerät gibt.

- i. **Fehler Ausgangsposition**
Falls die Antenne innerhalb der zulässigen Zeit nicht in die Ausgangsposition zurückkehrt oder das System die Ausgangsposition nicht erkennt, obwohl die Antenne sich wieder in Ausgangsposition befindet (der Begrenzungssensor ist defekt).
- ii. **Fehler TUNER**
Falls es keine Rückmeldung bei der Satellitensuche gibt, aufgrund eines defekten Tuners oder falschen Einstellungen.
- iii. **Bewegungsfehler**
Wenn die Einheit sich, aus irgendeinem Grund, nicht in die korrekte Position bewegen kann.
- iv. **Störung in der Kommunikation**
Wenn die Verbindung zwischen Einheit und Controller für länger als 5 Sekunden verloren gegangen ist.

6. Spezialfunktion 3 : Testmodus

Der Testmodus kann initialisiert werden, wenn entweder eine Fehlermeldung angezeigt wird oder die Antenne sich in der Ausgangsposition befindet.

- a. Drücken Sie MODE einmal um zum Testmodus zu gelangen und anschließend OK.
- b. Gehen Sie zu verfügbaren Funktionen mit den Pfeiltasten und drücken Sie zur Auswahl OK.
- c. Um das Menü zu verlassen, drücken Sie die Taste MODE und das Gerät kehrt in den vorherigen Status zurück.

3-3. Kurzanleitung

1. Drücken Sie die Taste POWER, um das Gerät einzuschalten und wählen Sie einen Satelliten mit den Pfeiltasten und mit OK bestätigen.
2. Warten Sie bis "SAT gefunden" wird auf dem Display angezeigt wird und NID prüfen (zweite LED auf der linken Seite) permanent leuchtet.
3. Jetzt ist der gewählte Satellit erfasst und die TV-Kanäle werden auf dem Fernseher angezeigt.



Warnung

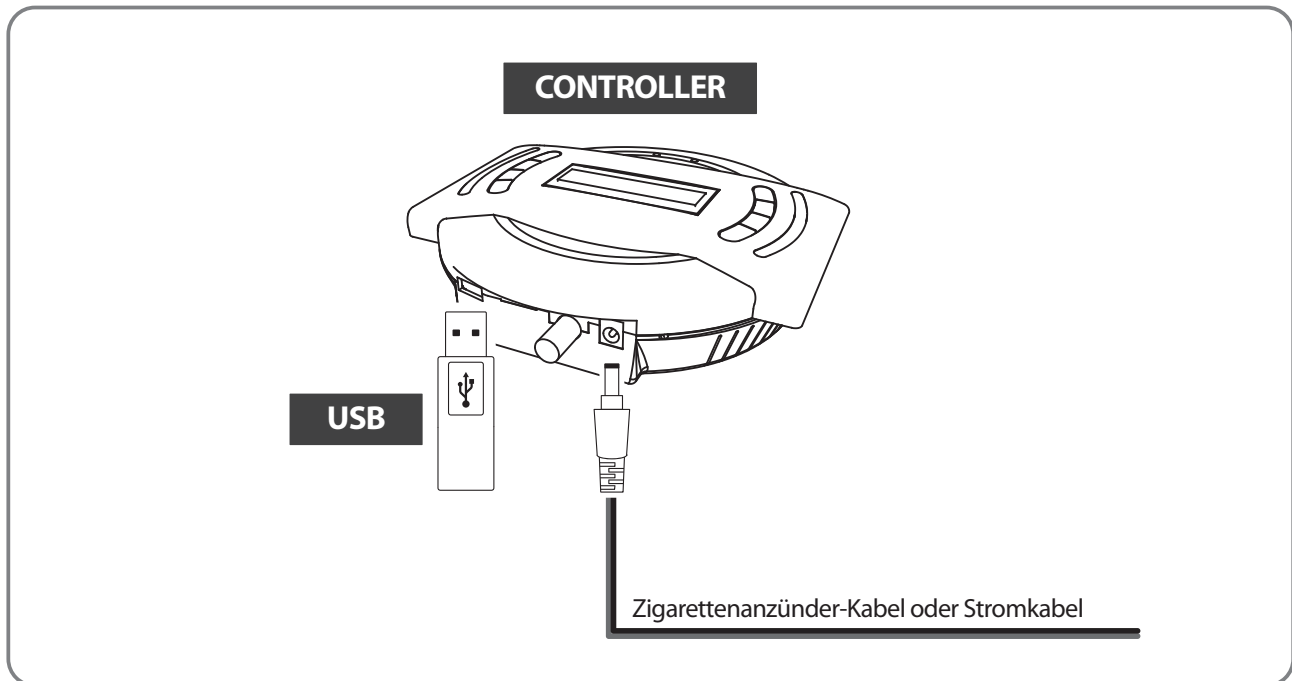
Wenn Benutzer das Fahrzeug physisch bewegen, muss sich die Einheit wieder in der Ausgangsposition befinden, um Beschädigungen zu vermeiden.



Hinweis

Das Gerät wird automatisch in die Ausgangsposition gefahren, wenn das Fahrzeug schneller als 25km/h fährt und das Gerät eingeschaltet ist.

4. Program-Upgrade



Hinweis

USB 2.0-Standard ist erst für die Aktualisierung verwendet werden

1. erschieben Sie die Software in einen USB-ROOT-Ordner (ohne Zugehörigkeit zu einem anderen Ordner) auf einem leeren USB-Stick.
 - i. Bitte gehen Sie auf die Website www.selfsat.com zum Herunterladen des Upgrade-Programms (Software).
 - ii. Falls der Controller den USB-Stick nicht erkennt, ziehen Sie den USB-Stick heraus und stecken Sie ihn in einen PC.
Rechts klicken auf den USB-Ordner, gehen Sie auf "Eigenschaften" und überprüfen Sie, ob das Dateisystem FAT32 ist.
Wenn nicht, klicken Sie wieder rechts auf den USB- Ordner, gehen Sie auf "Formatieren" und ändern Sie das Dateisystem auf FAT32.
2. Stellen Sie sicher, dass das Gerät ausgeschaltet ist und schließen den USB-Stick an den USB-Anschluss an der Seite des Controllers.
3. Drücken und halten Sie die Taste TUNE und drücken zusätzlich die POWER-Taste.
4. Das Gerät schaltet sich ein und "USB angeschlossen, F/W-Upgrade-Modus" wird auf dem Display angezeigt.
5. Wenn "UPGRADE FINISHED" angezeigt wird, ist die Aktualisierung abgeschlossen und Sie können den USB-Stick entfernen.

5. Erweiterte Einstellungen

Ändern des Transponder(TP)-modus

- i. i. Drücken Sie MODE zweimal, um in den TP-Modus zu gelangen und anschließend OK.

Hinweis

Zum Auswählen und Festlegen der Zahlen verwenden Sie die Pfeiltasten, um die verfügbaren Optionen zu sehen. Die Zahlen ändern sich individuell mit dem Cursor. Mit der Taste OK gelangen Sie zur nächsten Option. Diese Funktion wird nur verwendet, wenn der Satellitenbetreiber alle seine Parameter ändert.

- ii. Wählen Sie den Satelliten geändert werden, z. B. "00 XXXX(Satellitenname) ~ 11 XXXX" und drücken Sie OK.
- iii. Wählen Sie die TP-Nummer unter "00~02" und drücken Sie OK. (Drei TPs sind für jeden Satelliten programmiert)
- iv. Wiederholen Sie das gleiche Verfahren bei der Eingabe der Daten für FREQ (Frequenz) und SYMBOL (Symbolrate).
- v. Bitte wählen Sie die Art des Signals, DVBS oder DVBS2 und drücken Sie OK.
- vi. Wählen Sie die Polarisation VER (vertikal) oder HOR (horizontal) aus und drücken Sie OK.
- vii. Wählen Sie JA oder NEIN zum Speichern und/oder gehen Sie zurück zum ersten Schritt der TP-Einstellung.
- viii. Um das Menü zu verlassen, drücken Sie die Taste MODE und Das Gerät kehrt zum vorherigen Zustand zurück.
- ix. Für ein manuelles Zurücksetzen der TP-Daten, drücken die Taste SET und dann wählen Sie Ja und drücken OK.
Das Gerät muss jetzt neugestartet werden, damit der Reset beim nächsten Start angewendet wird.

6. Störungsbehebung

Es gibt eine Reihe Ursachen, die die Signalempfangsqualität oder den Betrieb des Gerät beeinträchtigen können. Der folgende Abschnitt befasst sich mit den häufigsten Ursachen und deren eventuellen Lösungen.

A. Keine Reaktion, wenn der Controller eingeschaltet wird

- i. **Sämtliche Anschlüsse erneut überprüfen.**
 - Die Verbindung zwischen der Macht und Controller
 - Die Verbindung zwischen dem Controller und der Antenne. Stellen Sie sicher, dass der linke Anschluss der Antenne an den Controller angeschlossen werden soll.
- ii. **Prüfen Sie, ob das Netzkabel beschädigt wurde.**
- iii. **Überprüfen Sie die Polarität der Batterie (+/-).**

B. Fehler bei Ausrichtung (Satelliten-Suche)

- i. **Hindernisse, wie Gebäude oder Bäume, können die Satellitensignale blockieren oder die Qualität des Signalempfangs beeinträchtigen. Vergewissern Sie sich, dass die Umgebung in südlicher Richtung frei von Hindernissen ist.**
- ii. **Wählen Sie einen anderen Satelliten z.B. Astra3, wenn dies funktioniert, wählen Sie Ihren gewünschten Satelliten. Z.b. Astra1.**
- iii. **Schalten Sie das Gerät aus und dann wieder ein und wählen den gewünschten Satelliten.**

C. Mechanische Probleme

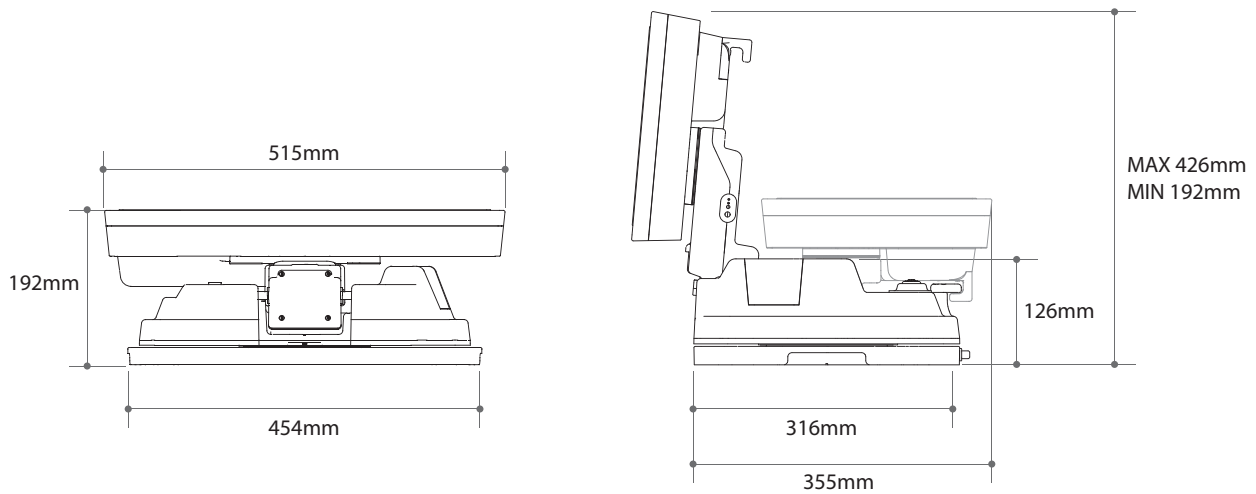
- i. **Die Antenne hängt in einer bestimmten Position fest und bewegt sich nicht.**
 - Schalten Sie den Netzschalter aus und wieder ein.
- ii. **Die Antenne macht während der Bewegung knackende Geräusche und hängt in einer Stellung fest.**
 - Schalten Sie den Netzschalter aus und wieder ein. Bei weiter bestehenden Problemen wenden Sie sich an lokalen Händler/Laden.

D. Weitere Ursachen

- i. **Wenn die Kabel des Systems nicht ordnungsmäßig angeschlossen sind, läuft das System nicht einwandfrei. Im Falle eines Kabelschadens, wenden Sie sich bitte an lokalen Händler/Laden.**

7. Technische Daten

7-1. Abmessungen



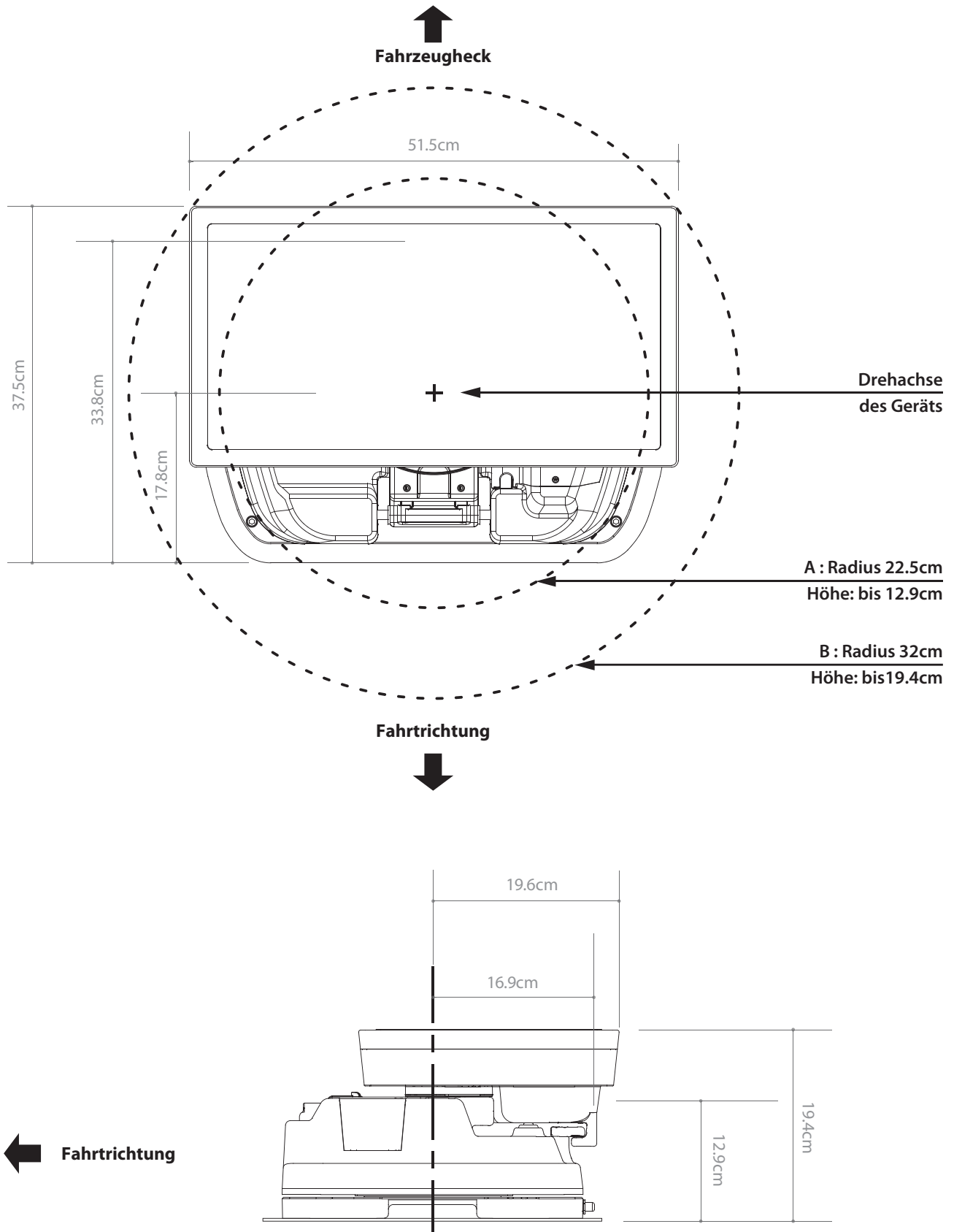
7-2. Technische Daten

Eingangsfrequenz	10.7 ~ 12.75 GHz
Polarisation	Horizontal / Vertikal
Antennengewinn	33.7 dBi @ 12.7 GHz
Abmessungen (W x D x H)	515 x 355 x 192 mm
Gewicht	10.1 kg
Min EIRP	50 dBW
Winkelbereich (Erhebung / Azimut / Schiefe)	15° ~ 90° / 360° / -45° ~ +45°
Satellitensuchzeit	120 Sekunden (AVG)
LNB-Ausgang	1 (Optional 2 Ausgang)
LNB Ausgangsfrequenz	950 ~ 2,150 MHz
L.O. frequenz	9.75 / 10.6 GHz
Betriebstemperatur	-30 °C ~ +60 °C
Spannungsversorgung	DC 12 ~ 24 V
Stromverbrauch	30 W (wahrend des Suchlaufs)

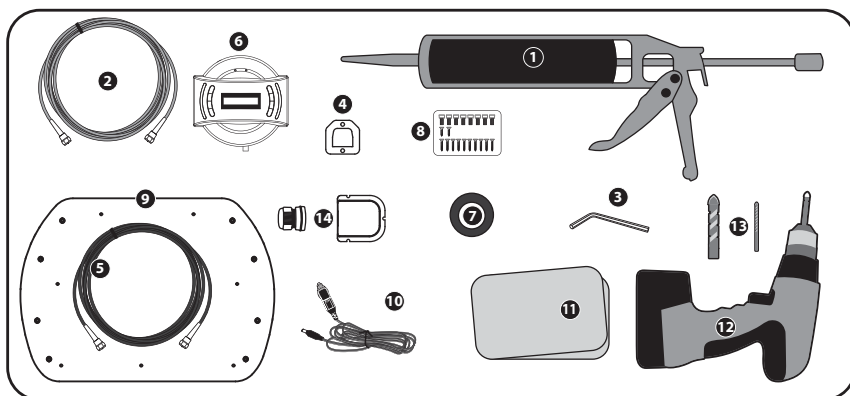
8. Wohnwagen / Wohnmobil Installations

8-1. Platzbedarf für die Installation

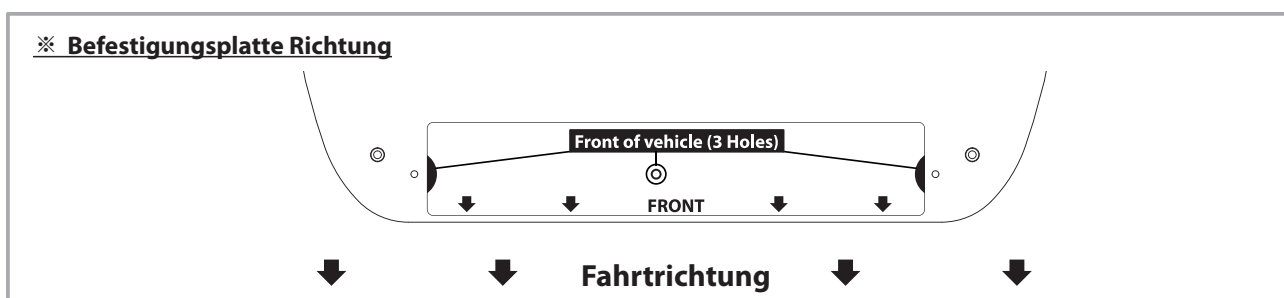
Achten Sie darauf, dass genügend Platz für die fach SNIPE2, ebenso wie für den Betriebsbereich (Aktionsradius).



8-2. Ausrüstung für die Installation

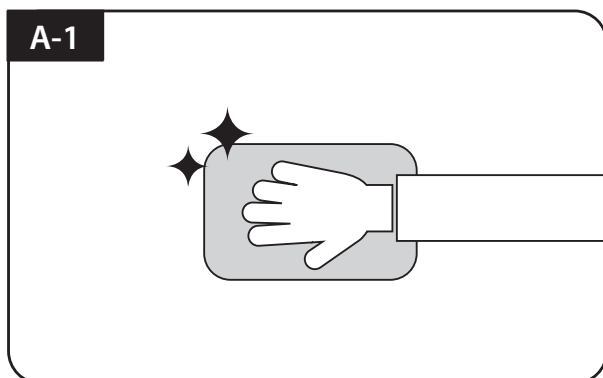


- 1 Silikon
- 2 Empfängerkabel (Graue)
- 3 Inbusschlüssel
- 4 Controller halterung
- 5 Controllerkable (Schwarze)
- 6 Controller
- 7 Friction Band
- 8 M6 x 15(8), M4 x 16(2), M4 x20(10)
- 9 Montageplatte
- 10 Zigarettenanzünder-Kabel (Stromkabel)
- 11 Reiniger
- 12 Bohrmaschine
- 13 2mm Bohrer, 15mm Bohrer
- 14 Kabelverschraubung & Kabelhalter

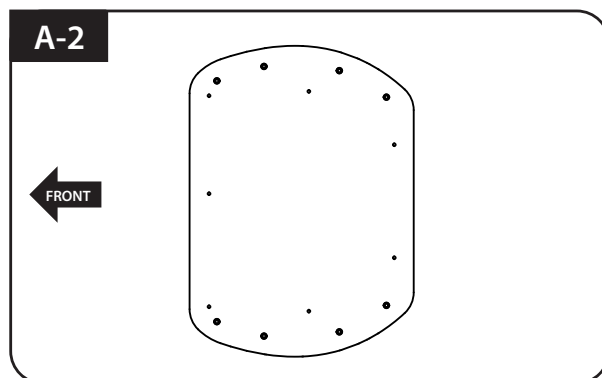


8-3. Montage

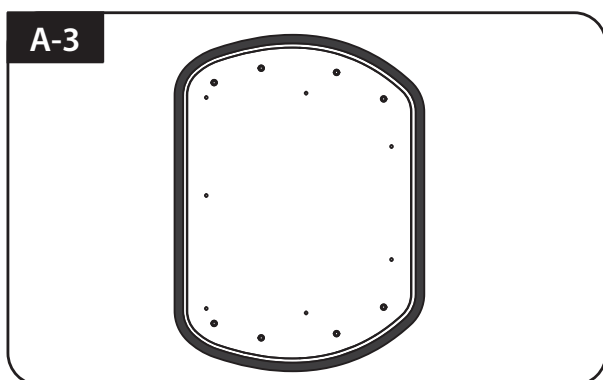
A. Montageplatte Installation auf dem Autodach



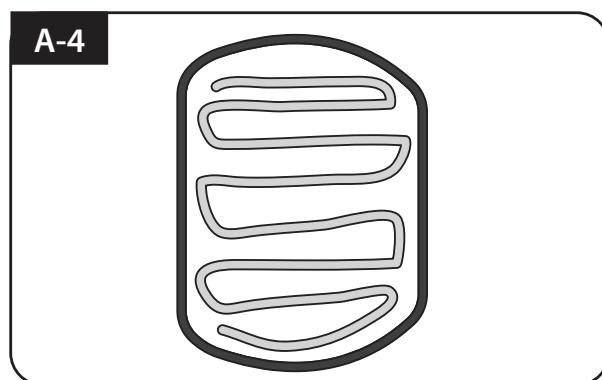
Reinigen Sie die Oberfläche mit Reiniger



Suchen Montageplatte in der Mitte Autodach

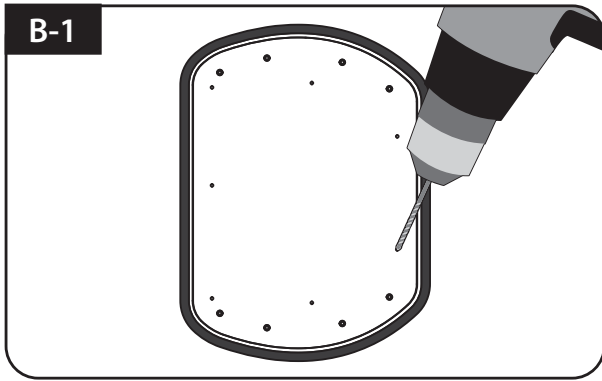


Bringen Reibung Band um die Montageplatte neben 5mm

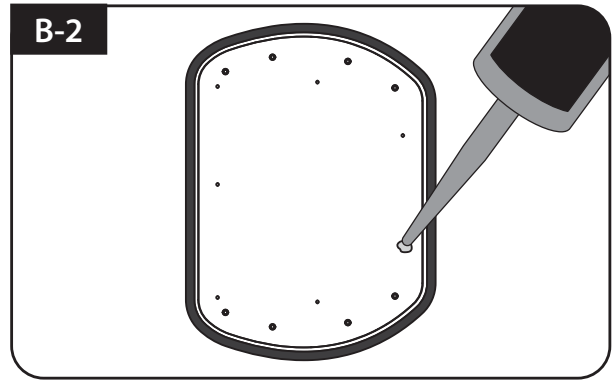


Beiseite legen Montageplatte zum Silikon innerhalb der angeschlossenen Reibungsband, aber lassen Sie 2cm innen Lücke von der Linie

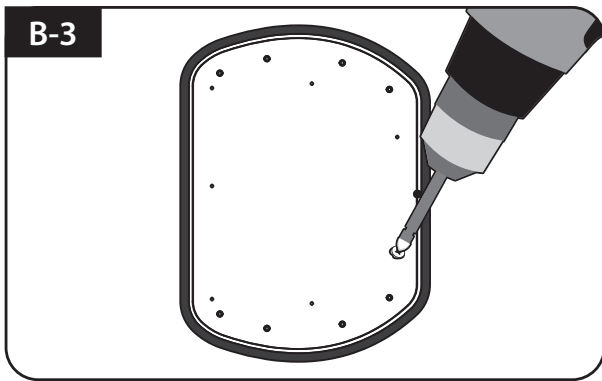
B. Screw 7pcs der M4x20 Schraube der Montageplatte zu befestigen



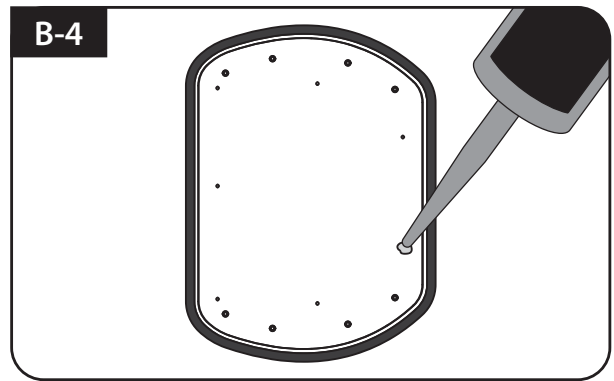
Platzieren Sie das Montageplatte auf der Silikon, und machen 7 Bohrungen (2 mm) mit einer Bohrmaschine



Silikon auftragen auf den Löchern

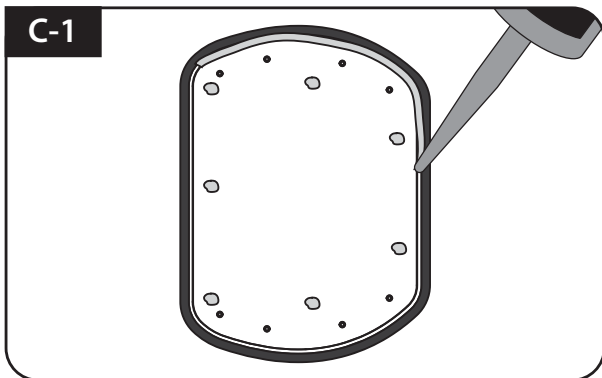


Montieren Sie 7pcs der M4x20

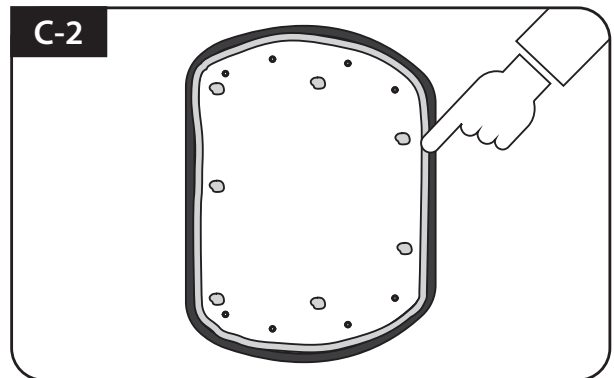


Silikon re-auftragen die Montagebolzen oben

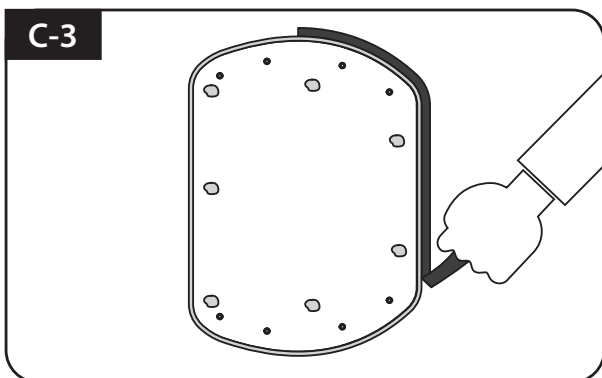
C. Silikon auftragen zwischen Montageplatte und Reibungsband



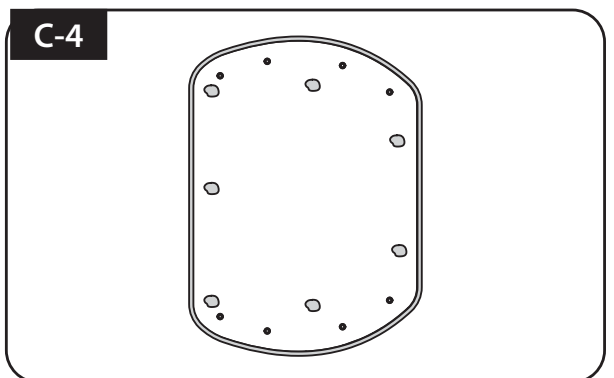
Silikon auftragen rund Montageplatte Kante



Aufgeräumter Silikonoberfläche



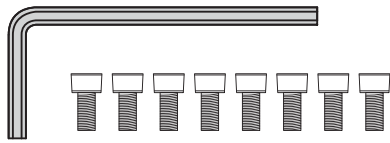
Entfernen Reibungsband und trocknen lassen



Bereiten Sie die Antenne platzieren auf den aufrechten acht(8) Bolzen

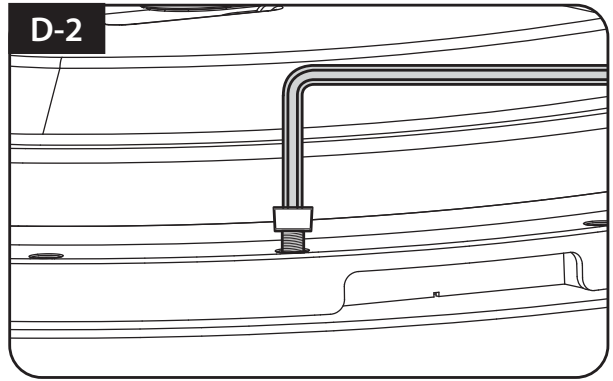
Befestigen Sie die Montageplatte mit 4 Stück Schrauben mit Inbusschlüssel

D-1



Teile erforderlich, Inbusschlüssel und acht (8) der M6 x 15 Bolzen

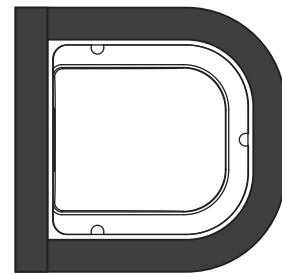
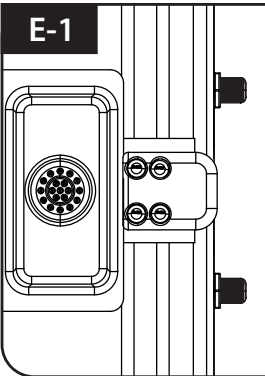
D-2



Legen Sie das Antenne auf der Montageplatte und fest anziehen jeder der Bolzen mit Inbusschlüssel

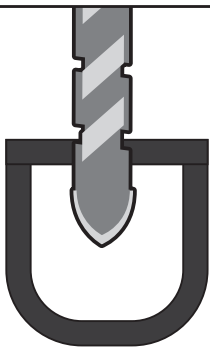
E. Kabelhalter Installation 1

E-1



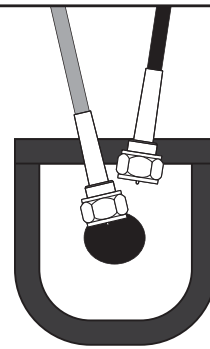
Legen Kabelhalters 30cm entfernt von der hinteren der Antenne. Bewerben Reibungsband 5mm von der Außenseite des Halters

E-2



Bohren Sie ein 15mm Loch (oder größer) in der Mitte des Bandes Markierungs

E-3



Stellen Sie sicher, dass Lochgröße ist groß genug, alle Kabel einfügen zusammen von ein und ein-

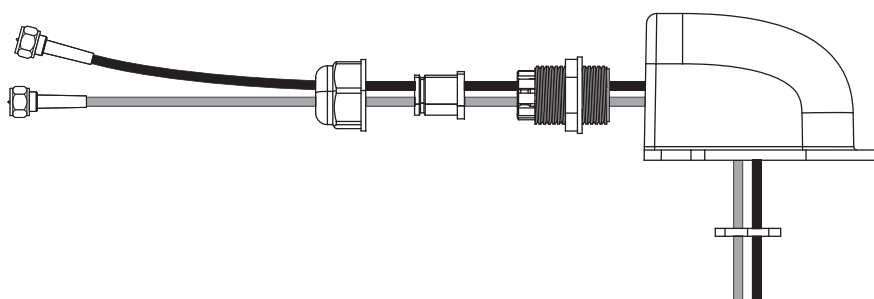
F. Kabelhalter Installation 2

F-1



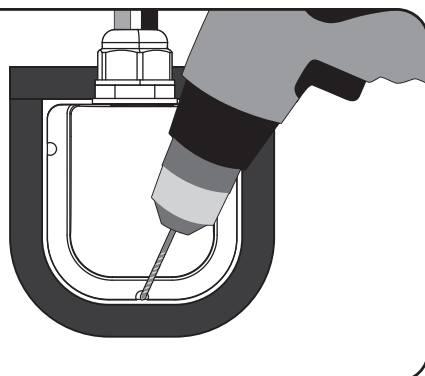
Controllerkabel, Empfängerkabel, Kabelhalter und Kabelverschraubung erforderlich

F-2



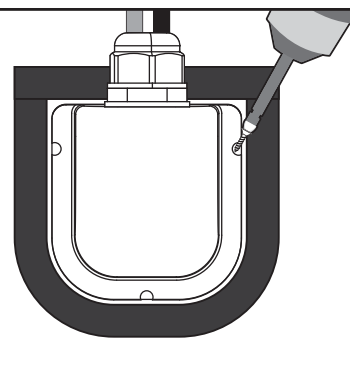
Legen Sie Kabel wie auf dem Bild

F-3



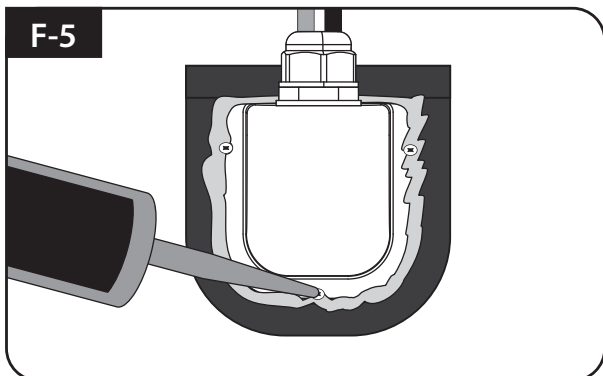
Legen Sie und halten Sie die montierten Kabelhalter im Inneren der Bandmarkierungen. Bohren Sie drei (3) 2mm Löcher

F-4



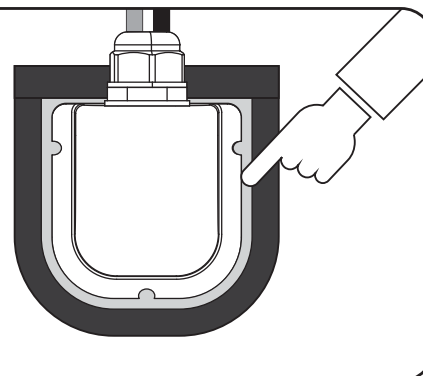
Kabel Halterung am Fahrzeugdach mit drei (3) von M4 x 20 Schrauben auf Bohrungen gemacht

F-5



Tragen Sie Silikon rund Kabelhalter und auf der Oberseite der Schrauben für wasserdichte

F-6



Schließen Sie die Kabel, um die relative Ports. Entfernen Reibungsband dann aufgeräumt Silikon vor Trocken

G. Controller installation

G-1



Präparieren Zigarettenanzünder-Adapter (oder Stromversorgungskabel)

G-2



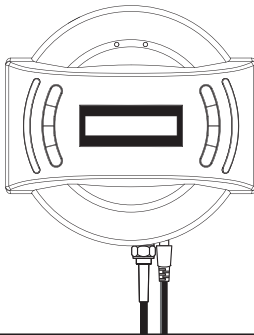
Fix- Controller Halterung sollte die Verwendung von zwei(2) des M4x16 Schrauben befestigt werden

Hinweis



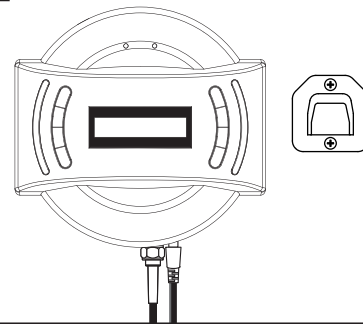
Das Gerät kann mit einer Autobatterie versorgt werden. Um ein Kabel für die Stromversorgung herstellen, schneiden Sie den Zigarettenanzünder ab und entfernen die Isolierung der Kupferkabel.

G-3



Schließen Sie Strom-Controller-Antenne mit Zigarettenanzünder-Adapter und Controller-Kabel

G-4



en Sie Controller auf festen Halterung

Sommaire

1. Informations générales

1-1. Introduction	2
1-2. Utilisation et fonctionnement	3
1-3. Notice de sécurité	3

2. Contenu

2-1. Accessoires Inclus	4
2-2. Nom des pièces	5

3. Instructions de fonctionnement

3-1. Diagramme de Connection	6
3-2. Description fonctionnelle	7
3-3. Référence rapide	9

4. Mise à jour programme

10

5. Paramètres avancés

11

6. Solutions aux problèmes

12

7. Spécifications

7-1. Dimensions	13
7-2. Spécifications	13

8. Caravane / Camping Installation

8-1. Espace requis pour SNIPE2	14
8-2. L'équipement pour l'installation	15
8-3. Instruction pour l'installation	15

1. Informations générales

1-1. Introduction

Ces instructions décrivent les fonctions et le fonctionnement du système satellite d'inclinaison automatique de la contre polarité.

Le fonctionnement correct et sûr du système ne peut être assuré que par l'instruction suivante, pour l'installation et le fonctionnement à la fois.

SNIFE2 est un système de réception intelligent de la télévision par satellite, qui peut s'aligner vers un satellite préréglé automatique aussi longtemps à condition que le système soit situé dans la zone du signal de ce satellite sélectionné.

SNIFE2 occupe seulement l'espace nécessaire pendant qu'elle exécute les ajustements nécessaires avec une antenne mince et agile.

Pour le fonctionnement général, s'il vous plaît s'assurer que le système a toujours une vue dégagée sur le ciel. Si le faisceau de signal du satellite est interrompue par des obstacles tels que les montagnes, bâtiments ou d'arbres, l'appareil ne fonctionnera pas et aucun signal TV sera reçu. Pour plus d'informations sur l'utilisation générale de cette unité consulter revendeur local pour obtenir de l'aide.

1-2. Utilisation et fonctionnement

Ce produit a été conçu pour être utilisé en usage portable et/ou une installation fixe sur les véhicules dont la vitesse maximale est de 130 kilomètres par heure. Il permet de pointer automatiquement l'antenne vers des satellites géostationnaires de transmission directe recevables (la réception ne peut se faire que véhicule arrêté. La vitesse maximale s'entend antenne repliée à la position Home / ne pas rouler antenne dépliée.)

La puissance électrique dont a besoin est fournie selon le système standard de véhicule avec une tension nominale de 12 ou 24 Volts. Pour les installations sur le véhicule, utiliser un câble d'entrée d'alimentation (câble allume-cigare) pour l'alimenter. Pour une utilisation portable, un adaptateur secteur en option produite par le fabricant SNIPE2 doit être.

L'utilisation de l'équipement pour toute autre fin que celle spécifiée n'est pas autorisée.

Merci de noter également les instructions suivantes fournies par le fabricant:

- Il est impossible d'ajouter ou supprimer des composants sur ce produit.
- L'utilisation d'autres composants autres que ceux fournis initialement.
- Pour terminer l'installation, l'installateur doit suivre strictement les instructions que je le mode d'emploi fourni. Défaut de suivre le mode d'emploi peut causer des dommages à l'appareil ou votre véhicule.
- Le produit ne nécessite pas d'entretien régulier ; Tout service doit être effectué dans les centres de services agréés.
- Toutes les lignes directrices pertinentes de l'industrie automobile doivent être observées et respectées.
- L'équipement ne doit être installé sur les toits des véhicules solides.
- Évitez de nettoyer véhicule avec le système de satellites monté dans une station de lavage automatique de voiture ou avec un nettoyeur haute pression.

1-3. Notice de sécurité

S'il vous plaît lire attentivement et suivre les instructions de fonctionnement dans ce manuel et utiliser le SNIPE2 pour son usage prévu.

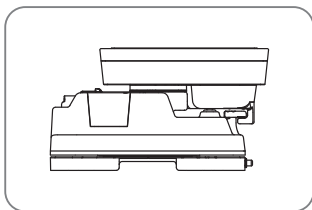
Lors de l'installation de SNIPE2, s'il vous plaît vous assurer que l'installation est effectuée avec les câbles fournis et que les câbles ne soient en aucune façon modifiés.

En tant qu'utilisateur de cet équipement, vous êtes responsable de veiller au respect des lois et des règlements pertinents.

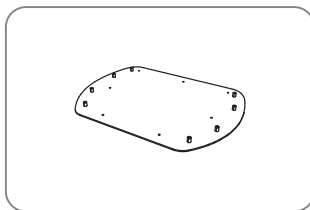
Le fabricant décline toute responsabilité pour les dommages directs ou indirects subi par le système lui-même, les véhicules à moteur ou d'autres équipements ou de biens résultant de la connexion de systèmes de batteries inappropriées ou d'installation / câblage par erreur.

2. Contenu

2-1. Accessoires Inclus



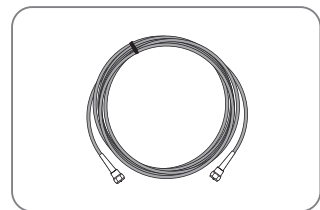
Unité principale



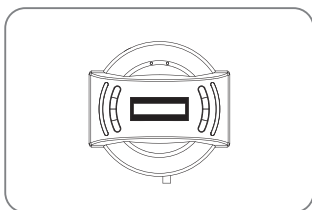
Plaque de fixation



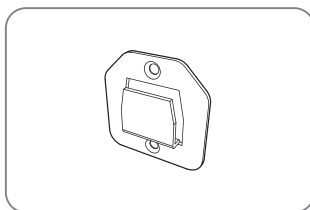
Adaptateur allume-cigarettes



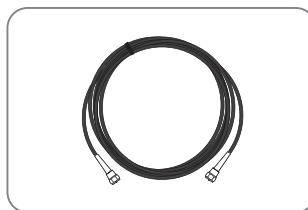
Câble du récepteur, 12m - Gris
(x2 pour 2 sorties)



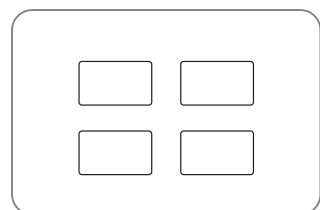
Contrôleur



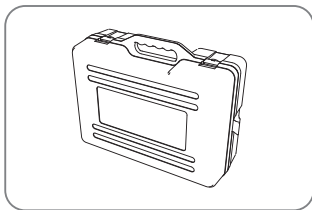
Contrôleur bras de fixation



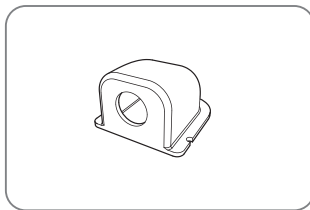
Câble du contrôleur, 12m - Noire



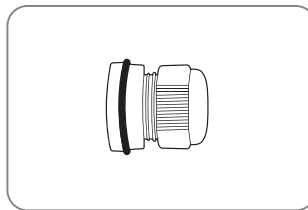
Coussin de la Base



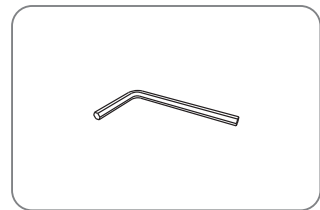
Mallette de transport



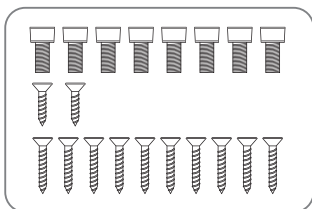
Support de câble



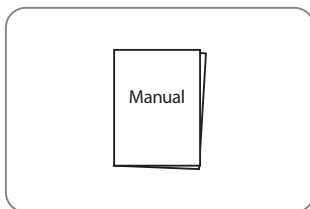
Presse-étoupe



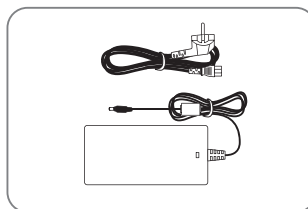
clé Allen



M6 × 15(8),
M4 × 16(2), M4 × 20(10)



Manuel d'utilisation

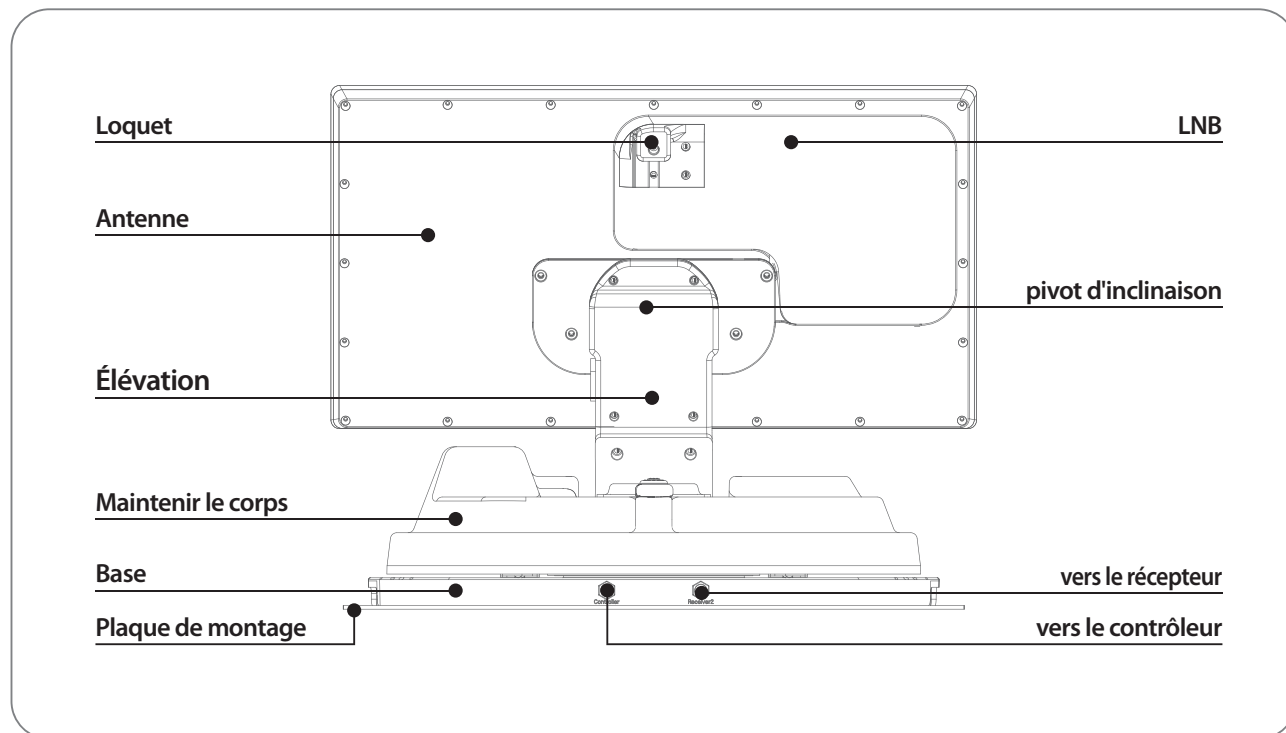


Adaptateur (optionel)

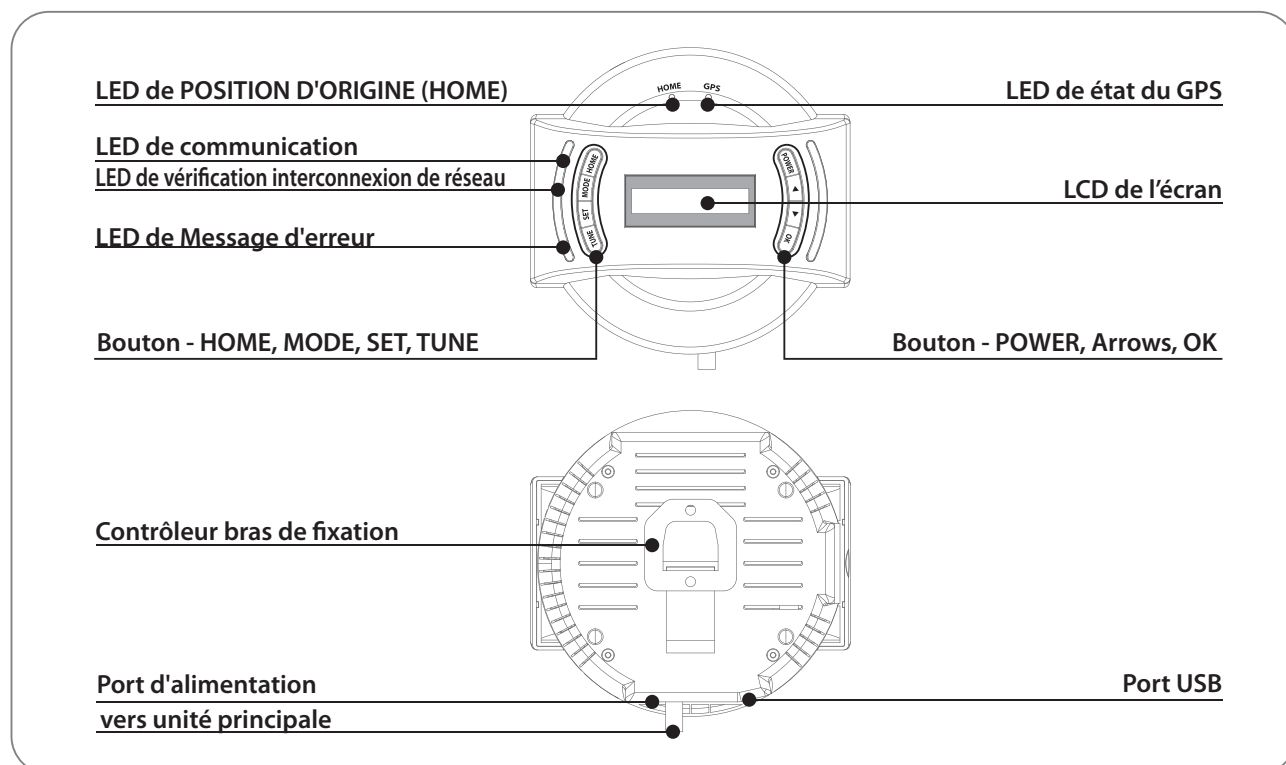
- ※ L'adaptateur d'alimentation doit être acheté séparément. Veuillez, s'il vous plait, contacter un revendeur / un magasin local pour plus d'informations.
- ※ Seul un adaptateur d'alimentation produit par le fabricant de séries SNIPE est garanti et doit être utilisé.
- ※ Les composants actuels peuvent différer des images ci-dessus.
- ※ L'appareil permet d'obtenir de la puissance à partir d'une batterie de voiture. Pour élaborer un câble d'entrée d'alimentation pour le branchement direct, coupez la lumière de la cigarette et détachez pour prendre les câbles en cuivre.

2-2. Nom des pièces

Unité principale

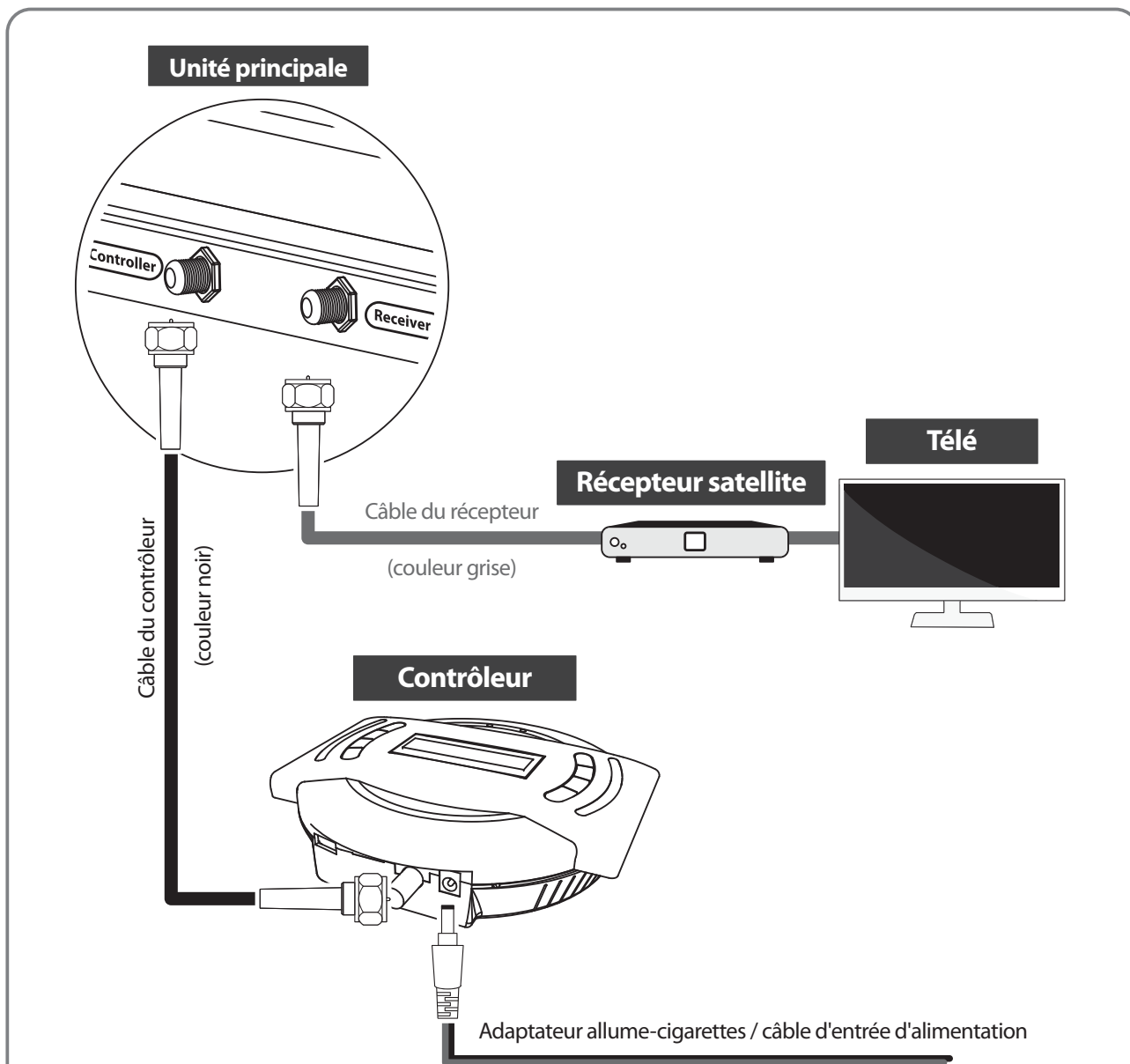


Contrôleur



3. Instructions de fonctionnement

3-1. Diagramme de Connection



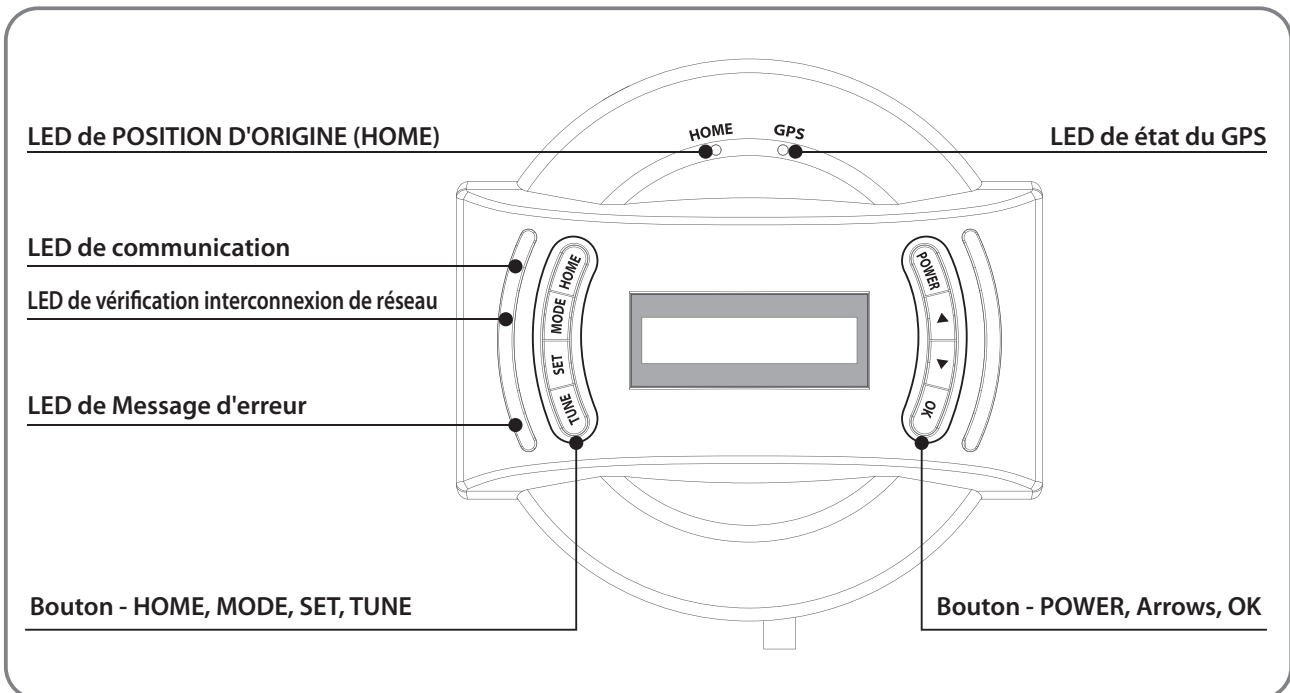
Utilisez le câble de couleur noir du contrôleur pour relier ce dernier à l'antenne. Câble de contrôleur ressemble à le câble du récepteur, mais a une couleur différente et l'étiquetage. S'il vous plaît vérifier les étiquettes à utiliser le câble approprié pour le travail. S'il vous plaît vous assurer que les câbles sont fournis, utilisés et non modifiés en aucune façon.



Utilisation pour la portabilité

Monter 4 Coussin de la Base en dessous de la plaque

3-2. Description fonctionnelle



1. Préparez-vous à l'utiliser

- Quand tous les branchements des câbles sont terminés, appuyez ALIMENTATION pour allumer l'unité.
- LED de POSITION D'ORIGINE est allumée en continu, cela signifie que l'antenne est prête au fonctionnement.
Si l'antenne n'a pas revenu à la POSITION D'ORIGINE, LED D'ACCUEIL continuera à clignoter alors que l'antenne revient à la POSITION D'ORIGINE. Quand l'unité est prête, le satellite de défaut « ASTRA1 » ou le dernier satellite sélectionné apparaît sur l'écran LCD du contrôleur.

NOTE

POSITION D'ORIGINE est lorsque l'antenne est complètement rabattue et tournée vers l'avant.

- LED de communication est allumée en continu, lorsque l'unité est sous tension.
(Ce témoin signifie que l'unité d'antenne est en communication correcte avec le contrôleur.)
- LED de GPS clignote pendant la recherche de l'emplacement actuel. Lorsque la position GPS est confirmée, le LED deviendra allumé en continu.
- Il est recommandée d'attendre jusqu'à l'allumage en continu de LED de POSITION D'ORIGINE et LED de communication, car cela va permettre à l'unité de trouver le satellite sélectionné plus rapidement avec une précision d'alignement plus précis.
- Si l'opération de recherche commence avant que GPS est allumé en continu, la LED de GPS continuera à clignoter même si le satellite est déjà verrouillé. Dans ce cas, l'unité peut réajuster le biais une fois que son emplacement actuel soit confirmé.

2. Sélection du satellite

- a. Sélectionnez le satellite que l'utilisateur souhaite voir, en utilisant les touches fléchées sur le contrôleur et appuyez sur OK.
- b. LED de vérification d'identification réseau (interconnexion de réseau) clignotera et l'état de l'antenne affichera « Recherche », puis « VÉRIFICATION » apparaît sur l'écran LCD.
- c. LED de vérification d'identification réseau (interconnexion de réseau) est allumée en continu, une fois le satellite est trouvé et puis « SATELLITE TROUVÉ » sur l'écran LCD.
- d. Si vous avez choisi le mauvais satellite, déplacez vers le nom du satellite correct à l'aide des flèches et appuyez sur OK pour confirmer le nouveau satellite.

3. Retour à la POSITION D'ORIGINE et Désactivation

- a. Après utilisation et avant de voyager, appuyez sur POSITION D'ORIGINE pour retourner l'unité à sa position d'origine.
- b. Pour mettre l'unité entièrement hors tension, appuyez sur POSITION D'ORIGINE et maintenez la touche ALIMENTATION pendant 5 secondes.
- c. Si vous allez rester dans votre emplacement pour une période prolongée ou si vous souhaitez économiser de l'énergie, vous pouvez laisser l'appareil, simplement en maintenant la touche ALIMENTATION pendant 5 secondes, le signal continuera à venir à travers votre récepteur de télévision par satellite.

4. Fonction spéciale 1 : mode RÉGLAGE FIN

Le mode RÉGLAGE FIN peut être initialisé quand un satellite sélectionné est trouvé et vous voulez augmenter la puissance du signal plus loin.

- a. Appuyez sur RÉGLAGE pour démarrer le mode RÉGLAGE FIN.
- b. Premier RÉGLAGE est pour AZ (Azimut). Ajustez la position de l'antenne, en utilisant les touches fléchées pour trouver une nouvelle position, fournissant une meilleure qualité de signal et appuyez sur OK pour la valider. Le niveau du signal sera affiché sur le contrôleur (Q ___) ou sur votre récepteur satellite.
- c. Répétez le même processus pour des ajustements d'EL (Altitude) et de SK (LNB skew).
- d. Pour enregistrer une nouvelle position du satellite et de sortie, appuyez sur la touche RÉGLAGE. Nouvelle position sauvegardée sera placée dans la mémoire pour votre prochain allumage. Mais, une fois que votre véhicule se déplace ou une nouvelle localisation GPS est confirmée, la position enregistrée sera réinitialisée.

5. Fonction spéciale 2 : MESSAGE D'ERREUR

LED de Message d'erreur sera allumée et le détail de message d'erreur sera affiché sur l'écran LCD, il sera détaillé s'il y a un problème avec l'unité principale.

- i. **Erreur de POSITION D'ORIGINE**
Si l'antenne ne revient pas à la POSITION D'ORIGINE dans le délai imparti ou le système ne reconnaît pas la POSITION D'ORIGINE malgré l'antenne d'être de retour à la POSITION D'ORIGINE (Le capteur de fin de course est défectueux).
- ii. **Erreur du TUNNER**
S'il n'y a pas de réponse lors de la recherche du satellite en raison du tuner défectueux ou de ses paramètres.
- iii. **Erreur de MOUVEMENT**
Si l'unité ne peut se déplacer pour corriger la position pour une raison quelconque.
- iv. **Erreur de COMMUNICATION**
Si la connexion est perdue entre l'unité et le contrôleur qui dure plus de 5 secondes.

6. Fonction spéciale 3 : Mode D'ESSAI

Mode D'ESSAI peut être initialisé lorsque soit un message d'erreur est affiché ou l'antenne est à la POSITION D'ORIGINE.

- a. Appuyez sur MODE pour entrer en mode D'ESSAI et appuyez sur OK.
- b. Allez aux fonctions disponibles sur l'écran LCD en utilisant les touches fléchées et appuyez sur OK pour sélectionner.
- c. Pour sortir, appuyez sur MODE et l'unité retournera à son statut précédent.

3-3. Référence rapide

1. Appuyez sur ALIMENTATION pour allumer l'unité et sélectionnez un satellite à l'aide des boutons fléchés et appuyez sur OK
2. Attendez jusqu'à ce que « SATELLITE TROUVÉ » est affiché sur l'écran LCD et LED de vérification interconnexion de réseau (deuxième LED sur le côté gauche) est allumée en continu.
3. Maintenant, le satellite sélectionné a été verrouillé et les chaînes de télévision seront diffusées à la télévision.



ATTENTION

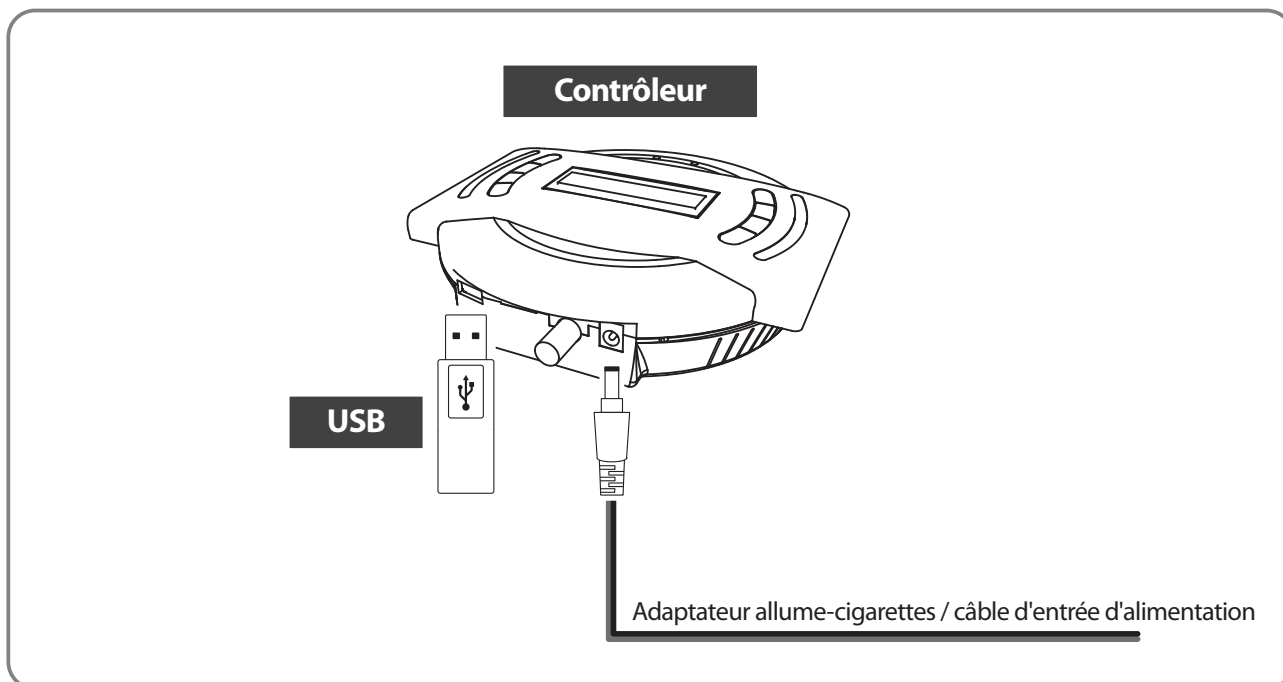
Lorsque vous déplacez l'unité physiquement, l'unité doit être retournée à la POSITION D'ORIGINE pour prévenir les dommages.



NOTE

L'unité SNIPE2 sera automatiquement repliée à la POSITION D'ORIGINE, si le véhicule se déplace plus vite que 25 kilomètres par heure lorsque l'unité est sous tension.

4. Mise à jour programme



NOTE

Standard USB 2.0 doit être utilisé pour la mise à niveau

1. Transférez le programme de logiciel pour un dossier racine USB (non appartenant à un autre dossier) dans un USB vide.
 - i. S'il vous plaît aller sur le site www.selfsat.com afin de télécharger le programme de mise à jour (logiciel).
 - ii. Dans le cas où un contrôleur ne reconnaît pas le lecteur USB, sortez le USB et le brancher dans un ordinateur. Cliquez droit sur le dossier USB, aller à « Propriétés » et vérifiez si le « Système de fichiers » est FAT32. Sinon, cliquez droit sur le dossier USB à nouveau, aller à « Format » et reconfigurez le système de fichiers a FAT32.
2. Assurez-vous que l'appareil est éteint et branchez la clé USB dans le port USB sur le côté du contrôleur.
3. Appuyez et maintenez la touche RÉGLAGE, puis également sur la touche ALIMENTATION.
4. Unité se mettra en marche et « USB connecté, F / W mode de mise à jour » sera affiché sur l'écran LCD.
5. Une fois «UPGRADE FINISHED» est affiché, la mise à jour est terminée, retirez le dispositif USB.

5. Paramètres avancés

Mode de Modification du transpondeur (TP)

- i. Appuyez sur MODE deux fois pour entrer en Mode de Modification du transpondeur (TP) et appuyez sur OK.

NOTE

Pour sélectionner et saisir des chiffres, utilisez les touches fléchées pour voir les options disponibles. Les chiffres sont ajustés individuellement avec le curseur et appuyez sur OK pour passer à l'option suivante. Cette fonction est utilisée uniquement que si l'opérateur de satellites change tous ses paramètres.

- ii. Sélectionnez le satellite que souhaitez modifier, comme par exemple « 00 XXXX (nom du satellite) ~ 11 XXXX » et appuyez sur OK.
- iii. Sélectionnez le numéro de TP parmi les « 00~02 » et appuyez sur OK. (Trois TP sont programmés pour chaque satellite).
- iv. Répétez le même processus en entrant les données pour FRÉQ (fréquence) et SYMBOLE (taux de symbole).
- v. Sélectionnez le type de signaux DVBS ou DVBS2 et appuyez sur OK.
- vi. Sélectionnez la polarisation VER (vertical) ou HOR (horizontal) et appuyez sur OK.
- vii. Sélectionnez OUI ou NON pour enregistrer et / ou revenir au premier stade de Modification du transpondeur (TP).
- viii. Pour quitter, appuyez sur MODE et SNIPE2 reviendra au statut précédent.
- ix. Pour RÉARMEMENT MANUEL, appuyez sur SET et sélectionnez OUI, puis appuyez sur OK. Redémarrez SNIPE2 pour appliquer la remise à votre prochain démarrage.

6. Solutions aux problèmes

Il ya un certain nombre de problèmes communs qui peuvent affecter la qualité de réception du signal ou le fonctionnement de la SNIPE2. Les sections suivantes traitent de ces questions et les solutions possibles.

A. Pas de réaction lors de la mise en tension du contrôleur

- i. Vérifiez de nouveau que toutes les connexions on été proprement faites.
 - Connexion entre l'alimentation et le contrôleur
 - Connexion entre le contrôleur et l'antenne. Assurez-vous que le port gauche de l'antenne doit être connecté au contrôleur.
- ii. Vérifiez si le câble d'entrée d'alimentation n'a pas été endommagé.
- iii. Vérifiez la polarité des piles (+/-).

B. Défaut de rechercher le satellite sélectionné

- i. Les signaux des satellites peuvent être bloqués ou dégradés par les bâtiments, les arbres. Assurez-vous qu'il n'ya aucune obstruction dans la direction vers le sud.
- ii. Sélectionnez un autre satellite à titre d'exemple Astra3, si elle ce verrous, puis sélectionnez votre satellite, à savoir, Astra1.
- iii. Éteignez l'unité et rallumez-la, sélectionnez le satellite de choix.

C. Problème mécanique

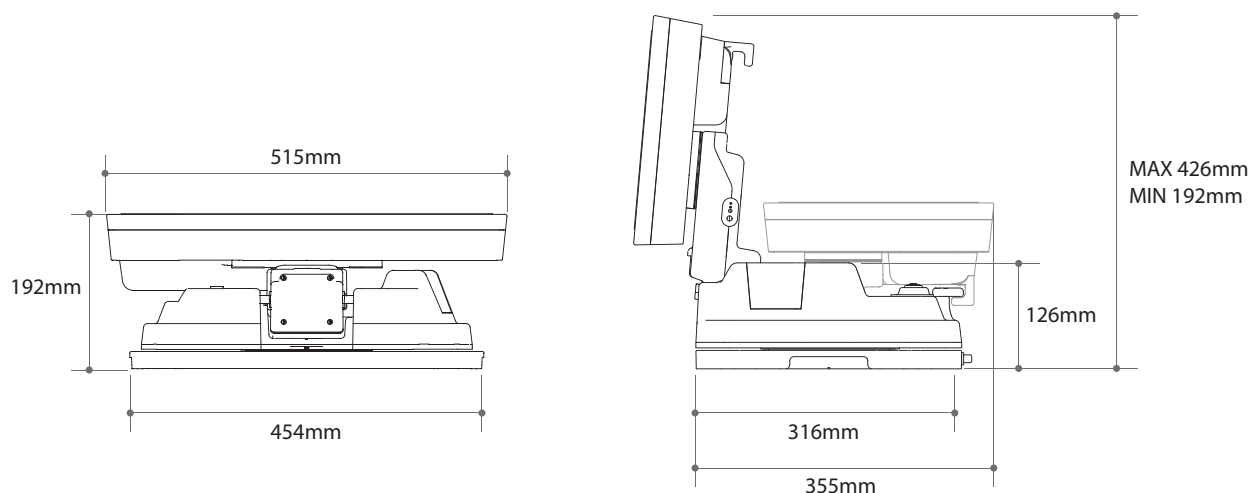
- i. Dans e cas où l'antenne ne tourne pas sur certaines positions.
 - Essayez d'éteindre et de rallumer votre produit par le biais du bouton ON/OFF.
- ii. Dans le cas où l'antenne faitt un bruit lors du mouvement ou qu'elle a été coincée dans une certaine position.
 - Essayez d'éteindre et de rallumer votre produit par le biais du bouton ON/OFF, s'il ne fonctionne pas, contacter régional vendeur(ou magasin) pour assistance .

D. Autres

- i. Si le système a été mal câblé, il ne fonctionnera pas correctement. Veuillez contacter régional vendeur(ou magasin) pour de l'assistance.

7. Spécifications

7-1. Dimensions



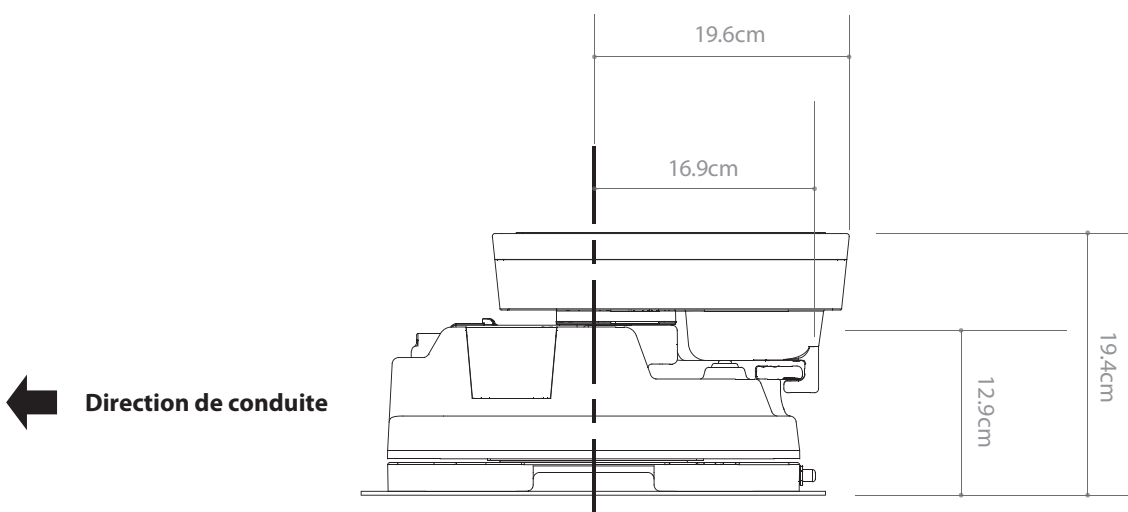
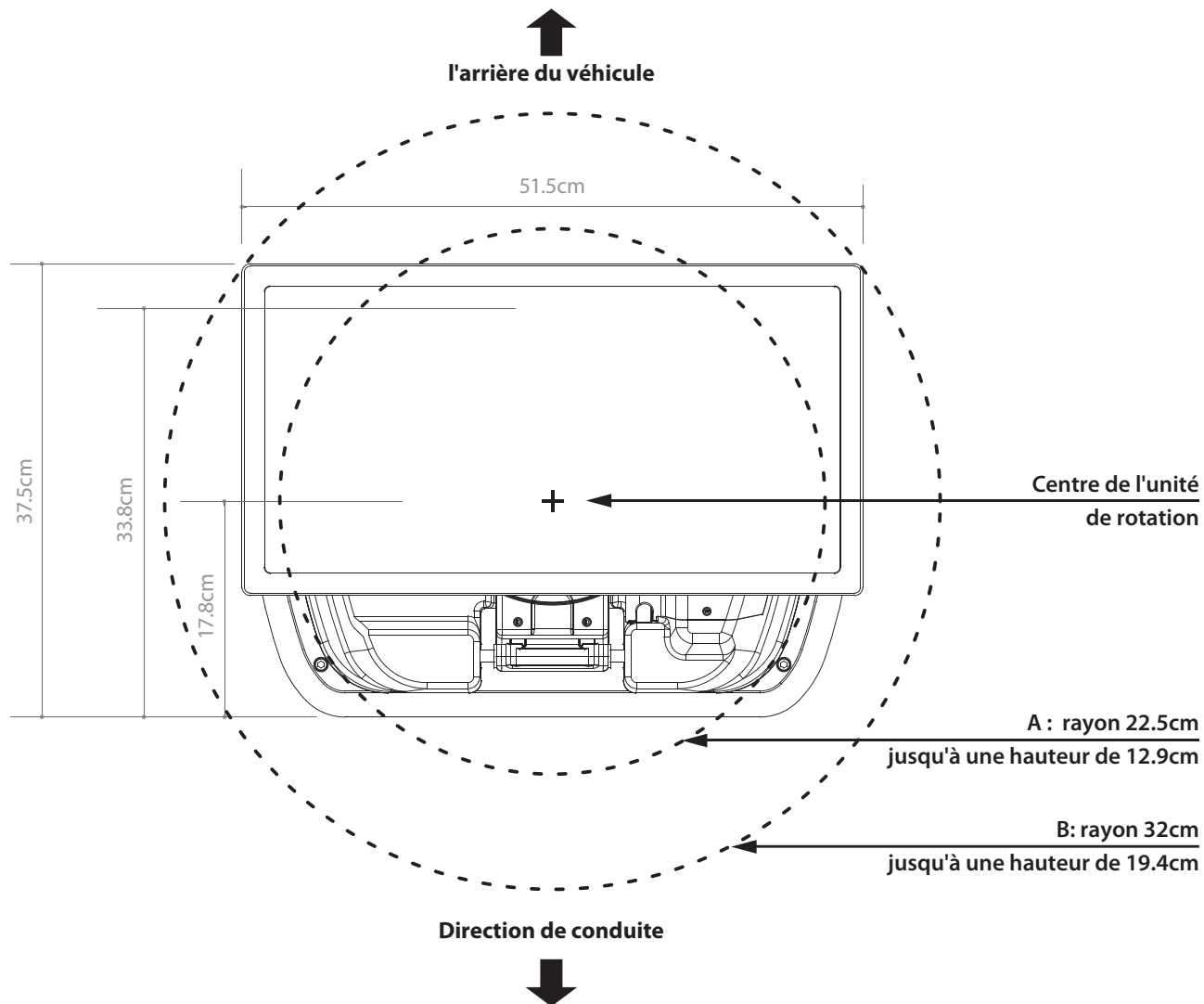
7-2. Spécifications

Fréquence d'entrée	10.7 ~ 12.75 GHz	
Polarisation	Horizontale/Vericale	
Gain de l'antenne	33.7 dBi @ 12.7 GHz	
Dimensions (W x D x H)	515 x 355 x 192 mm	
Poids	10.1 kg	
Min EIRP	50 dBW	
Rayon d'angle (élévation / azimut / inclinaison)	15° ~ 90°, 360°, -45° ~ +45°	
Temps de recherche du satellite	120 secondes (moyenne)	
	Sortie LNB	1 / 2 sortie (Optionel)
LNB	Frequence de sortie LNB	950 ~ 2,150 MHz
	L.O. frequence	9.75 / 10.6 GHz
Tepérature de fonctionnement	-30 °C ~ +60 °C	
Energie requise	DC 12 ~ 24 V	
Consommation d'énergie	30 W (en mouvement)	

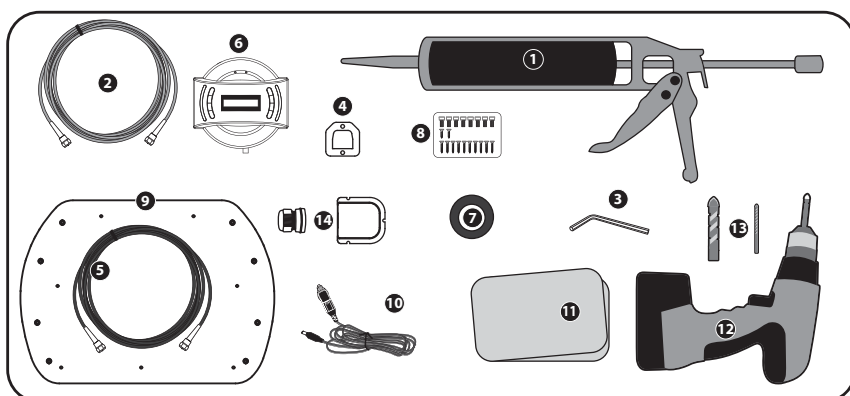
8. Caravane / Camping Installation

8-1. Espace necessaire pour SNIPE2

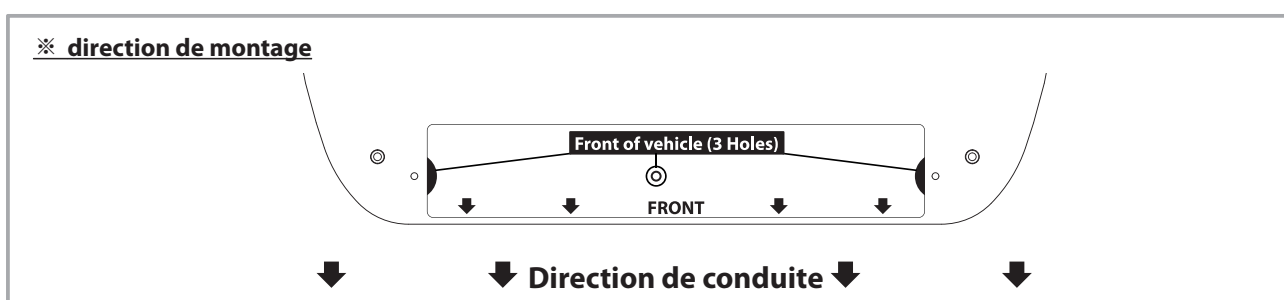
Prenez garde, qu'il ya suffisamment d' espace pour le SNIPE2 fois , tout comme pour la plage de fonctionnement (croisiere rayon)



8-2. L'équipement pour l'installation

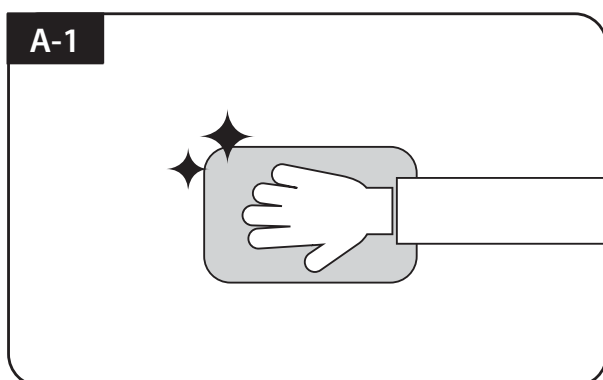


- 1 Silicone
- 2 Câble du récepteur, 12m - Gris
- 3 clé Allen
- 4 Contrôleur bras de fixation
- 5 Câble du Contrôleur, 12m - Noire
- 6 Contrôleur
- 7 Bande de frottement
- 8 M6 x 15(8) , M4 x 16(2) , M4 x20(10)
- 9 Plaque de fixation
- 10 Adaptateur allume-cigarettes (Cable d'alimentation)
- 11 Nettoyeur
- 12 Perceuse
- 13 Foret 2mm, foret plus de 15mm
- 14 Support de câble & Presse-étoupe

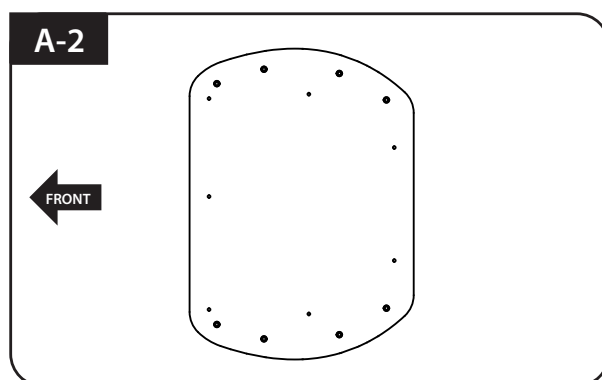


8-3. Instruction pour l'installation

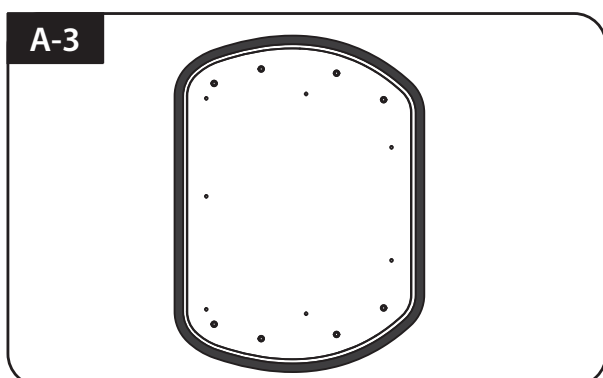
A. Installation Plaque de fixation sur le toit du véhicule



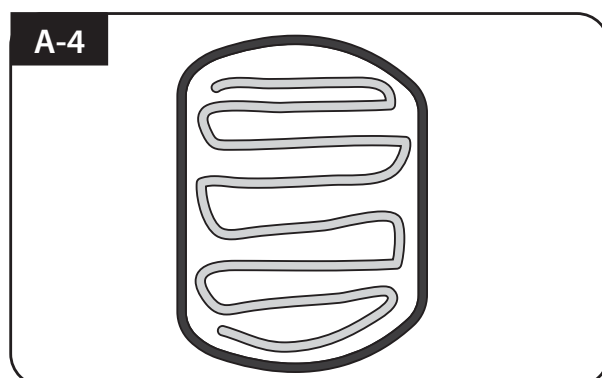
Nettoyer la surface avec un chiffon



Localiser l'emplacement de la Plaque de fixation sur le toit du véhicule



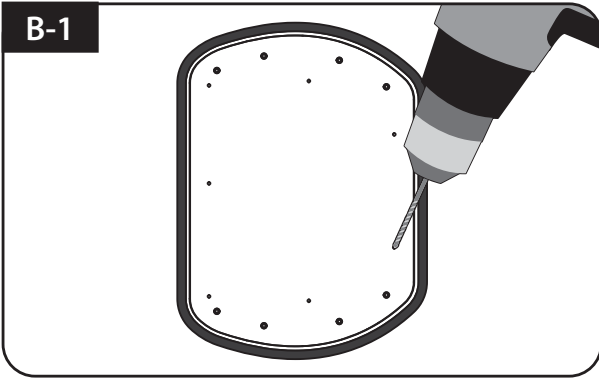
Fixez la Bande de frottement autour de la Plaque de fixation en sortant des bords de 5mm



Appliquez de la silicone en laissant un jeu de 2cm de la Plaque de fixation

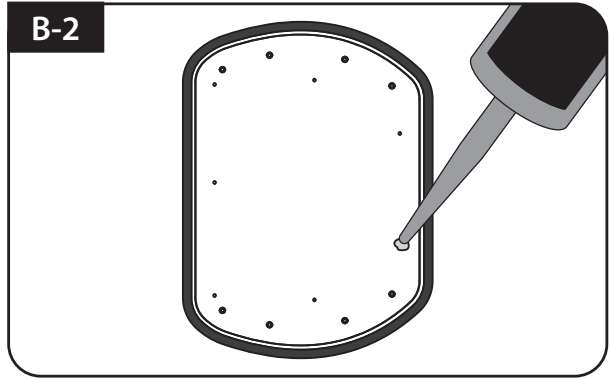
B. 7pcs à vis de boulon M4x20 pour fixer la Plaque de fixation

B-1



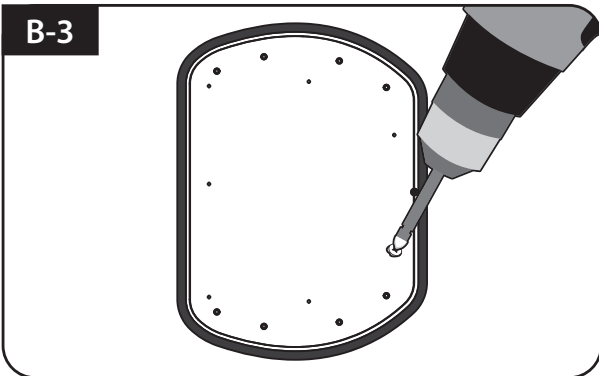
Placez la Plaque de fixation sur le silicone et faire 7 trous (2 mm) avec une perceuse électrique

B-2



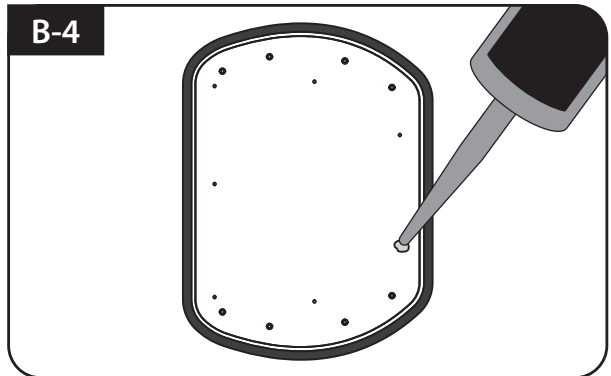
Appliquez de la silicone sur les trous

B-3



Assemblez sept (7) des boulons M4x20

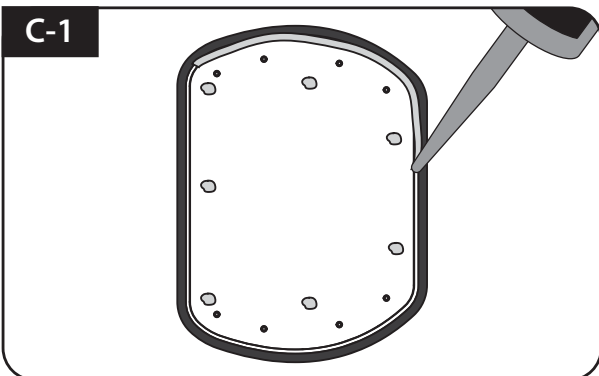
B-4



Re-appliquez le silicone pour couvrir les boulons vissés

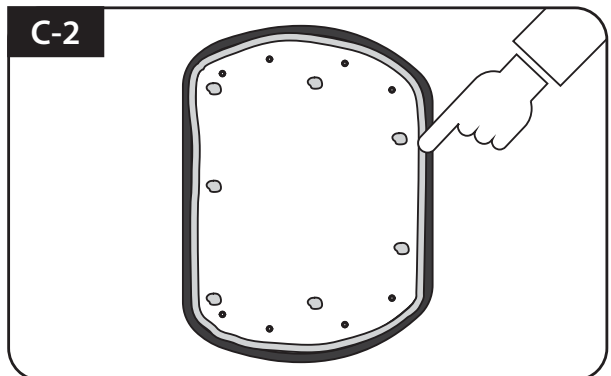
C. Appliquer silicone entre la Plaque de fixation et la bande de frottement

C-1



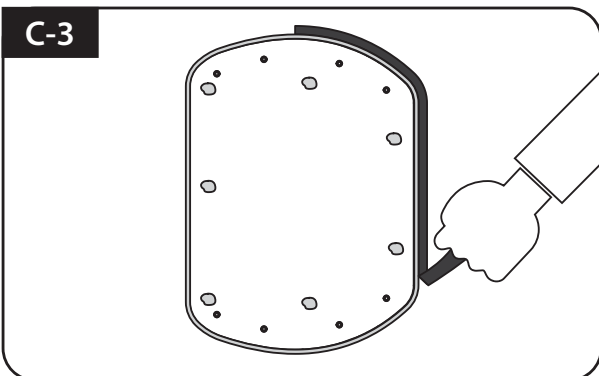
Appliquez silicone autour de Plaque de fixation

C-2



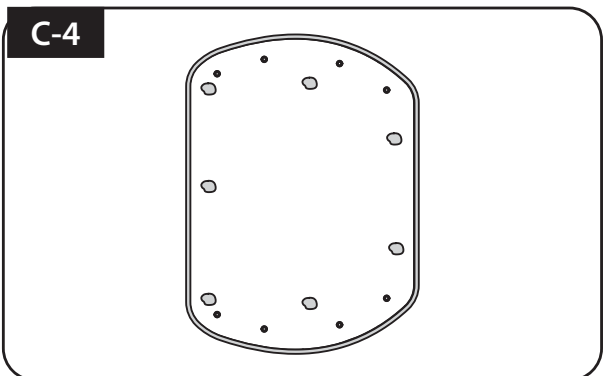
surface de silicone Tidy

C-3



Retirer le ruban de friction et laisser sécher

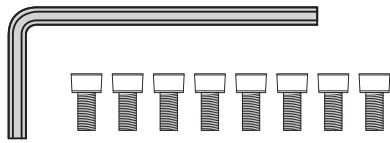
C-4



Préparez-vous à placer l'antenne sur les huit boulons verticaux

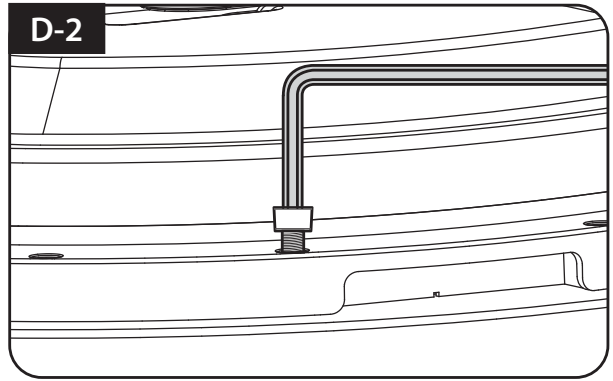
D. Fixer la Plaque de fixation avec huit(8) de boulons en utilisant une clé Allen

D-1



Parties nécessaires, clé Allen et huit (8) de M6 x 15 boulons

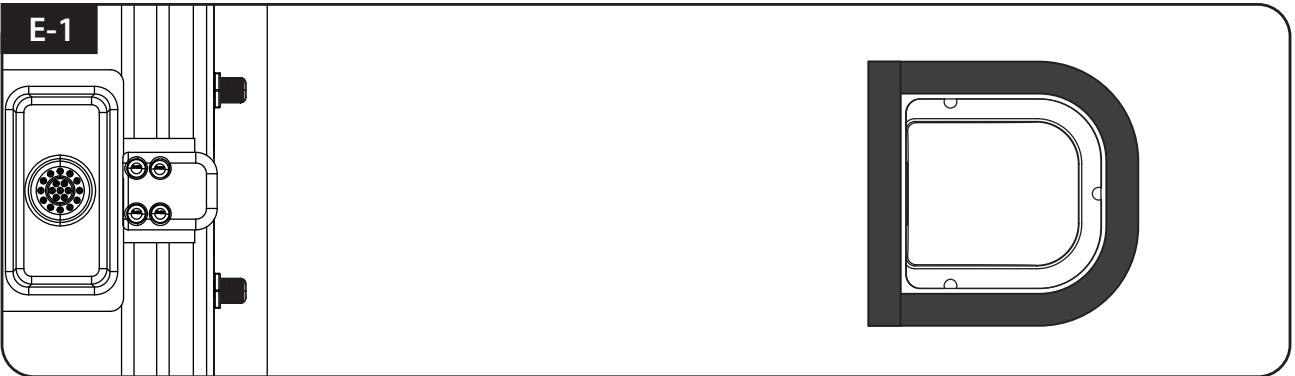
D-2



Placez l'antenne sur la plaque de montage et serrez fermement chacun des boulons avec une clé allen

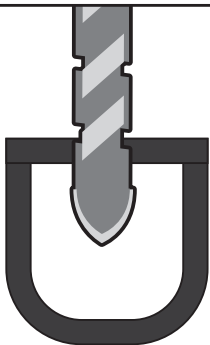
E. Câble installation de support 1

E-1



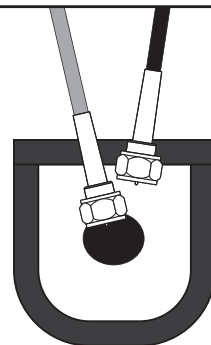
Placer le support du câble de 30 cm de distance arrière de l'antenne. Appliquer Bande de frottement de 5 mm à partir de l'extérieur du porte-

E-2



Percer un trou de 15mm (ou plus) dans le centre de la Bande de frottement

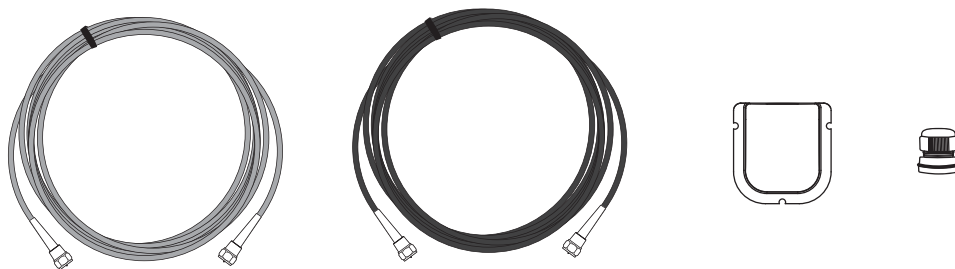
E-3



Assurez-vous que la taille du trou est assez grand pour insérer tous les câbles ensemble par un et un

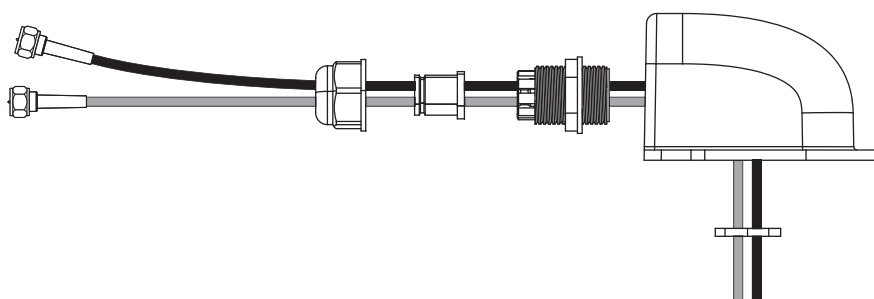
F. Câble installation du support 2

F-1



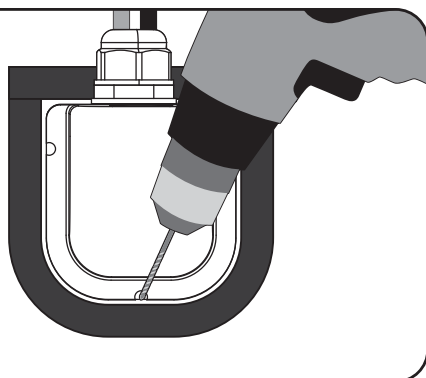
Câble Contrôleur, Câble récepteur, support de câble et de la Presse-étoupe sont nécessaires.

F-2



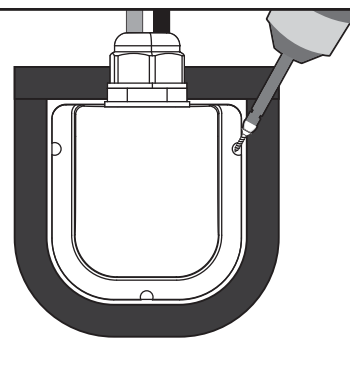
Mettre en place les parties nécessaires en photo ci-dessus.

F-3



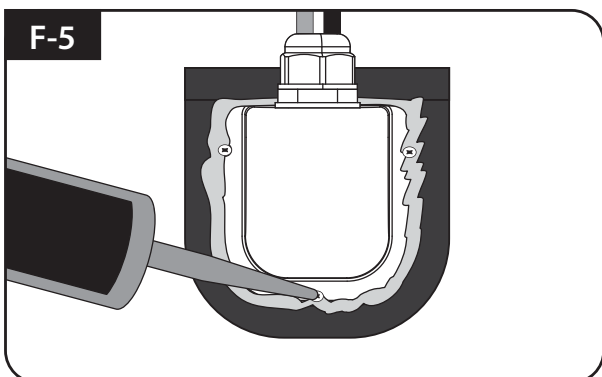
Placez et maintenez le support de câble assemblé à l'intérieur des marquages de bande. Percer trois (3) trous de 2mm

F-4



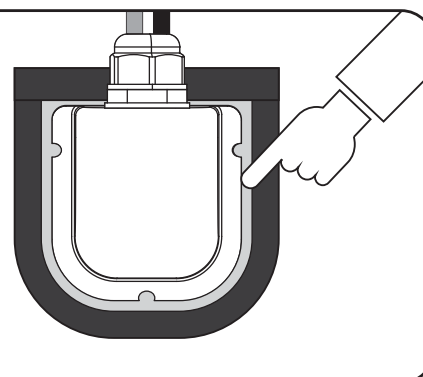
Fix support de câble sur le toit du véhicule avec trois (3) des vis M4 x 20 sur les trous de forage effectués

F-5



Appliquer silicone autour de support de câble et sur le dessus des vis pour l'étanchéité

F-6



Connectez les câbles aux ports relatifs. Retirer le Bande de frottement alors bien rangé silicone avant sec

G. L'installation Contrôleur

G-1



Préparez l'adaptateur allume-cigarettes (câble d'entrée d'alimentation).

G-2



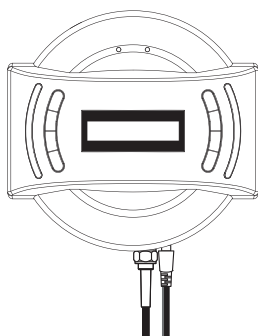
Contrôleur bras de fixation de Fix où il doit être fixé à l'aide de deux (2) vis de M4x16

NOTE



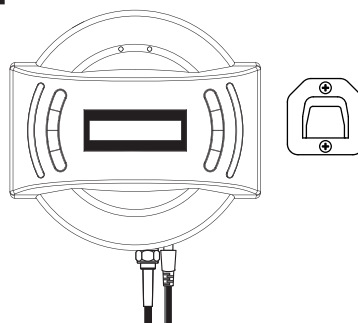
L'appareil permet d'obtenir de la puissance à partir d'une batterie de voiture. Pour élaborer un câble d'entrée d'alimentation pour le branchement direct, coupez la lumière de la cigarette et détachez pour prendre les câbles en cuivre.

G-3



Branchez-contrôleur-antenne en utilisant adaptateur allume-cigare et un câble ontrôleur

G-4



Contrôleur de place sur le bras de fixation fixe

Inhoud

1. Algemene informatie

1-1. Introductie	2
1-2. Correct gebruik en bediening	3
1-3. Veiligheid	3

2. Inhoud

2-1. Onderdelenlijst	4
2-2. Naam van onderdelen	5

3. Gebruiksaanwijzing

3-1. Aansluitschema	6
3-2. Functiebeschrijving	7
3-3. Snelle naslag	9

4. Program-Upgrade

10

5. Geavanceerde instellingen

11

6. Probleem oplosser

12

7. Technische specificaties

7-1. Afmetingen	13
7-2. Specificaties	13

8. Caravan / Camper Installatie

8-1. Benodigde ruimte voor de SNIPE2	14
8-2. Apparatuur voor de installatie	15
8-3. Installatie	15

1. Algemene informatie

1-1. Introductie

Deze instructies beschrijven de functies en het gebruik van SNIPE2, het vollautomatische satellietstelsel met autoskew.

Correct en veilig gebruik van het systeem kan alleen worden gewaarborgd door het volgen van de instructies, zowel voor installatie als voor het gebruik.

SNIPE2 is een intelligent satelliet-tv ontvangst systeem welke zichzelf automatisch kan uitrichten naar een voorgeprogrammeerde satelliet, zolang het systeem zich binnen het bereik bevindt van de geselecteerde satelliet.

SNIPE2 neemt door zijn compacte bouw slechts minimale ruimte in beslag om zichzelf uit te richten. Voor algemene werking, moet u ervoor zorgen dat het systeem altijd een duidelijk zicht op de hemel heeft. Als de satelliet het signaal van de straal wordt onderbroken door obstakels, zoals bergen, gebouwen of bomen, zal het toestel niet werken en geen tv-signaal worden ontvangen.

Raadpleeg lokale dealer voor assistentie als u meer informatie wilt over het algemeen gebruik van dit systeem.

1-2. Correct gebruik en bediening

Dit product is ontwikkeld voor draagbaar gebruik en gemonteerd op voertuigen tot een snelheid van 130 km/u. Het systeem is geprogrammeerd om automatisch te richten op de geostationaire televisie satellieten die direct uitzenden.

De stroomvoorziening verzorgd door het stroomcircuit van het voertuig met een gelijkspanning van 12V of 24V vanuit de accu. Wanneer het voertuig op een 230VAC netaansluiting aangesloten is, kan er ook een 230V naar 12V omvormer gebruikt worden.

Het gebruik van de apparatuur voor elk ander doel dan het gespecificeerde is niet toegestaan.

Let ook op de volgende instructies van de fabrikant:

- Het is niet mogelijk om componenten toe te voegen aan of te verwijderen uit dit product.
- Het gebruik van componenten anders dan die oorspronkelijk geleverd zijn is niet toegestaan.
- Om de installatie te voltooien, de installateur alle aanwijzingen in de gebruikshandleiding strikt volgen. Nalaten om de gebruikshandleiding te volgen kan schade aan het systeem of gebruiker voertuig veroorzaken.
- Dit product vereist geen regelmatig onderhoud; al het onderhoud moet worden uitgevoerd door goedgekeurde servicecentra.
- Alle relevante richtlijnen van de autoindustrie moeten in acht worden genomen en nageleefd worden.
- De apparatuur mag alleen geïnstalleerd worden op een vast autodak.
- Vermijd het schoonmaken van gebruiker voertuig met een geïnstalleerd satelliet systeem in een wasstraat of wasbox met een hogedrukreiniger.

1-3. Veiligheid

Lees en volg a.u.b. de gebruiksaanwijzingen in deze handleiding zorgvuldig en gebruik SNIPE2 voor het beoogde doel.

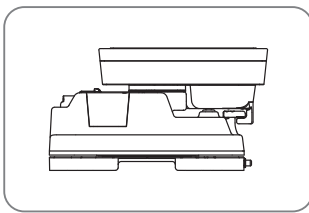
Zorg er a.u.b. voor dat u tijdens installatie van SNIPE2 de installatie uitvoert met de meegeleverde kabels en zorg ervoor dat de kabels op generlei wijze gewijzigd zijn.

Het is uw verantwoordelijkheid, als gebruiker van het product, om zich van de wetten en regels op de hoogte te stellen en deze na te leven.

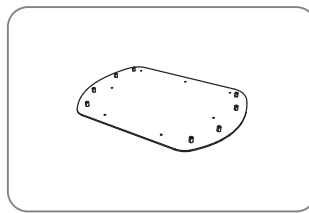
De fabrikant en importeur zijn niet aansprakelijk voor directe, indirecte of vervolgschade aan het product zelf, het voertuig of andere materialen die het gevolg zijn van een ongeschikte accu cq.stroomvoorziening of foutieve installatie.

2. Inhoud

2-1. Onderdelenlijst



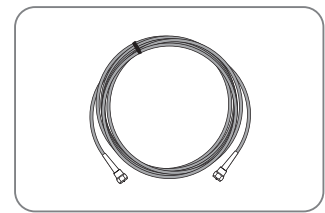
Hoofdunit



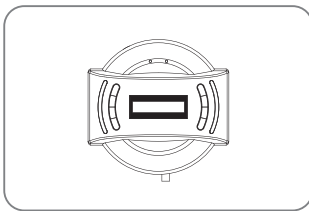
Montageplaat



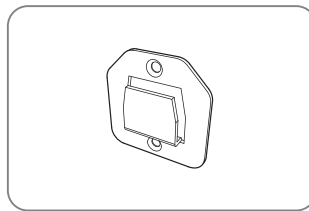
Sigarettenaansteker Kabel



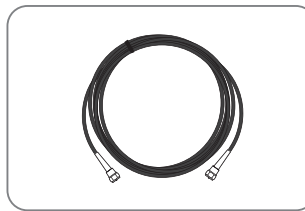
Ontvangerkabel - 12m - grijs,
(x2 voor 2 uitgang)



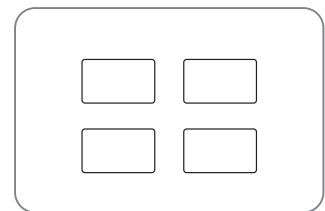
Bediening



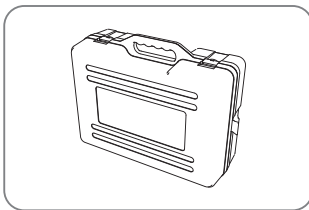
Beugel voor Bediening



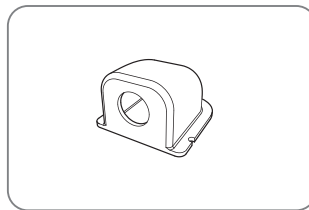
Bedieningskabel (12m - zwart)



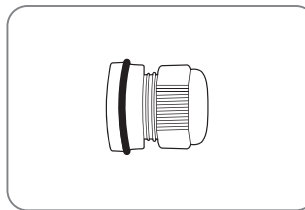
Kussentjes van de Basis



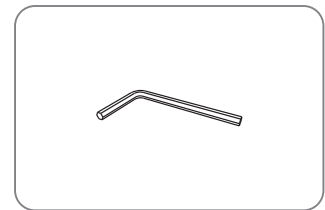
Draagtas



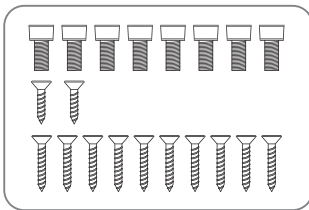
kabelhouder



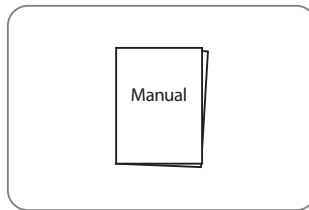
Kabelwartel



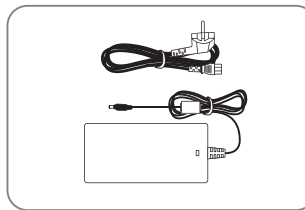
Inbussleutel



M6 × 15(8),
M4 × 16(2), M4 × 20(10)



Gebruikershandleiding

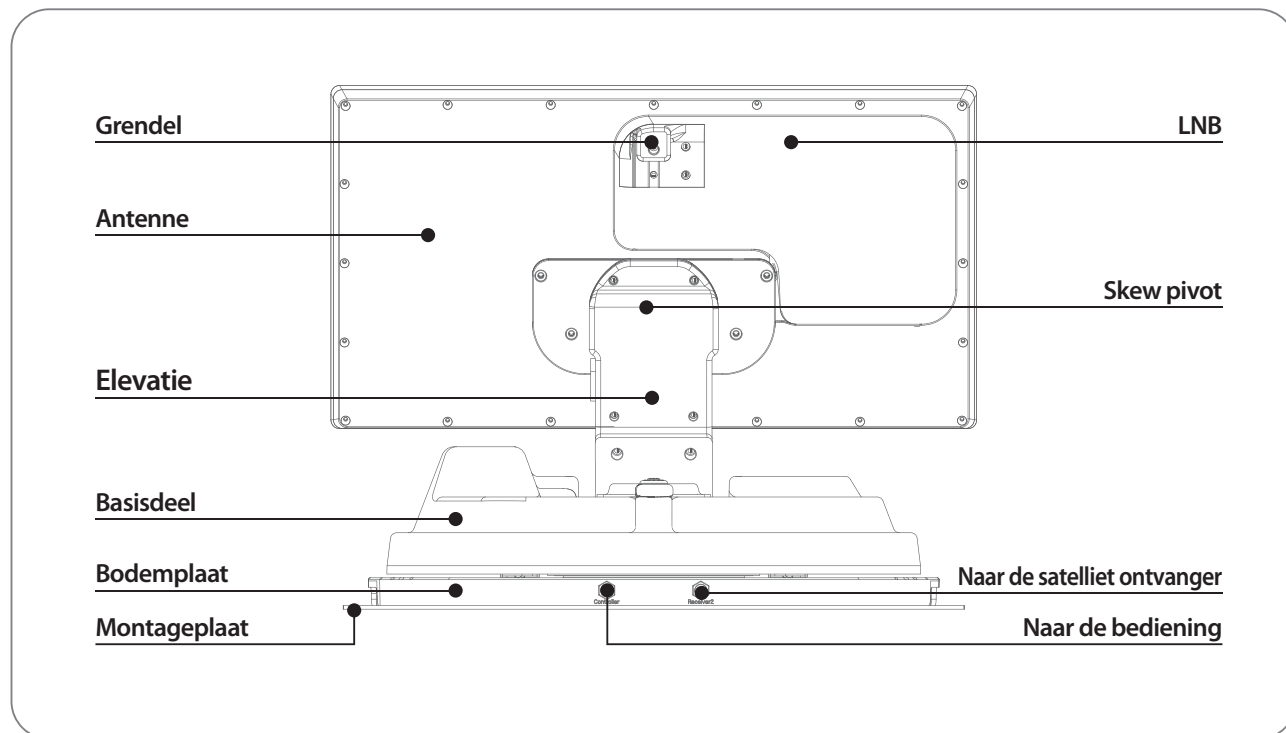


voedingsadapter (Optie)

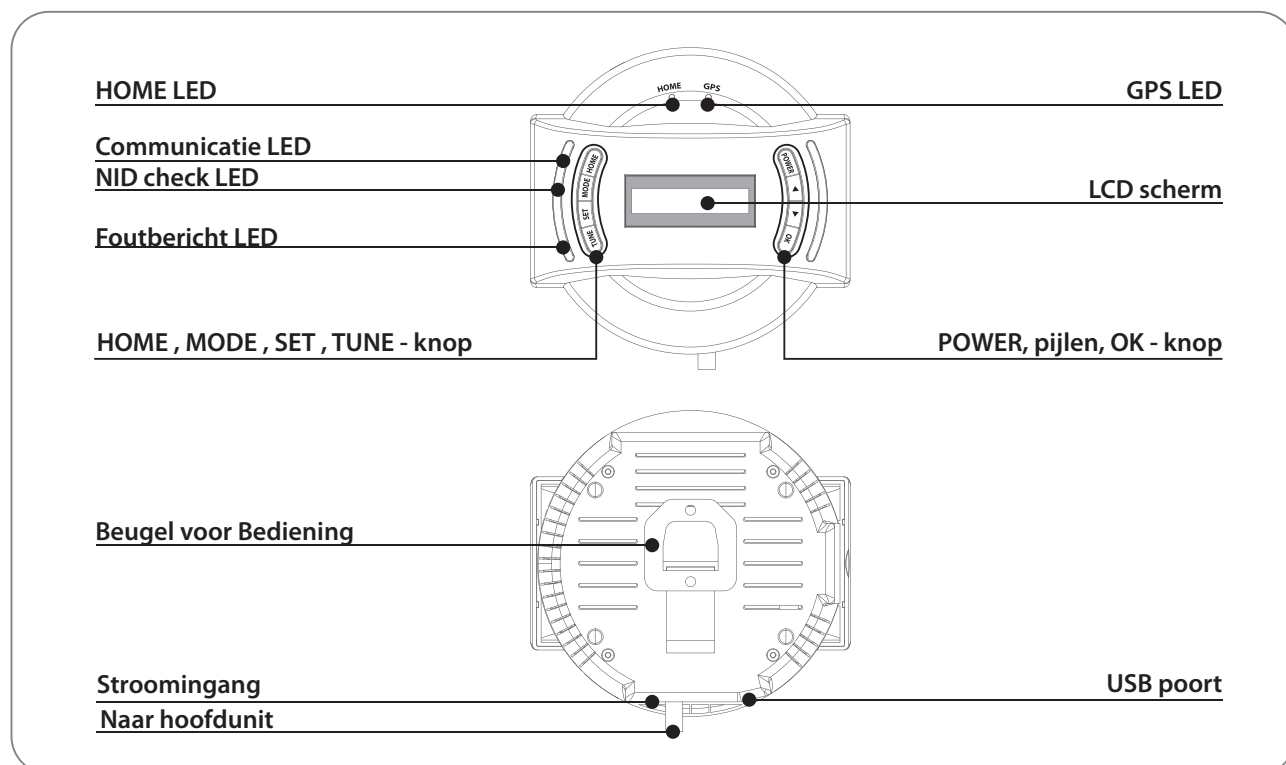
- ※ De voedingsadapter moet los aangeschaft worden. Informeer a.u.b. bij lokale dealer/verkooppunt voor meer informatie.
- ※ Alleen een door de SNIPE series fabrikant geproduceerde voedingsadapter mag worden gebruikt en valt onder de garantie.
- ※ De werkelijke componenten kunnen afwijken van de bovenstaande afbeeldingen.
- ※ ※ Het systeem kan gebruik maken van de stroomtoevoer van de accu in uw auto. Maak een stroomtoevoerkabel voor een directe verbinding door met een sigarettenaansteker de kabelmantel te knippen en van de koperen kabel te trekken.

2-2. Naam van onderdelen

Hoofdunit

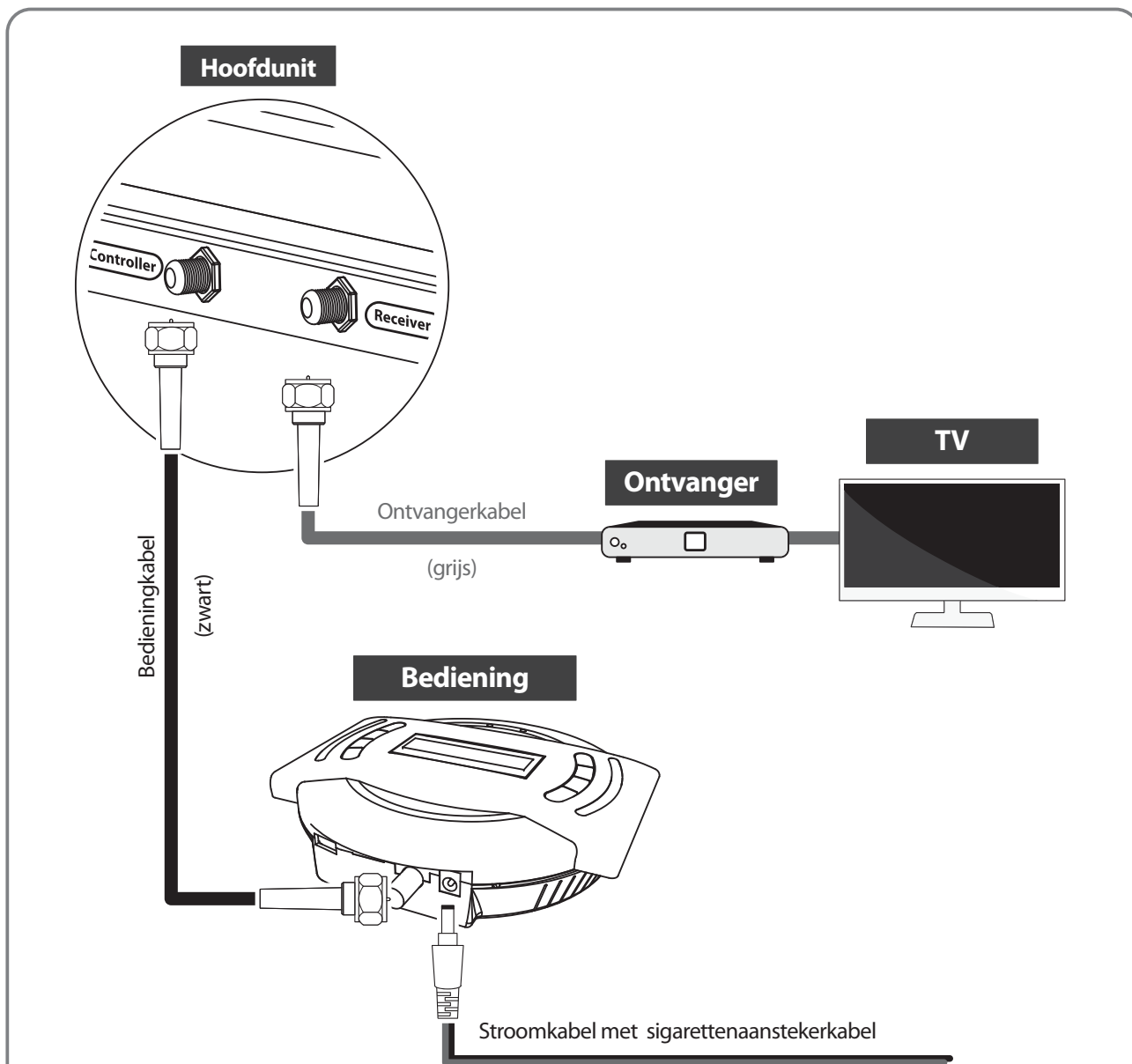


Bediening



3. Gebruiksaanwijzing

3-1. Aansluitschema



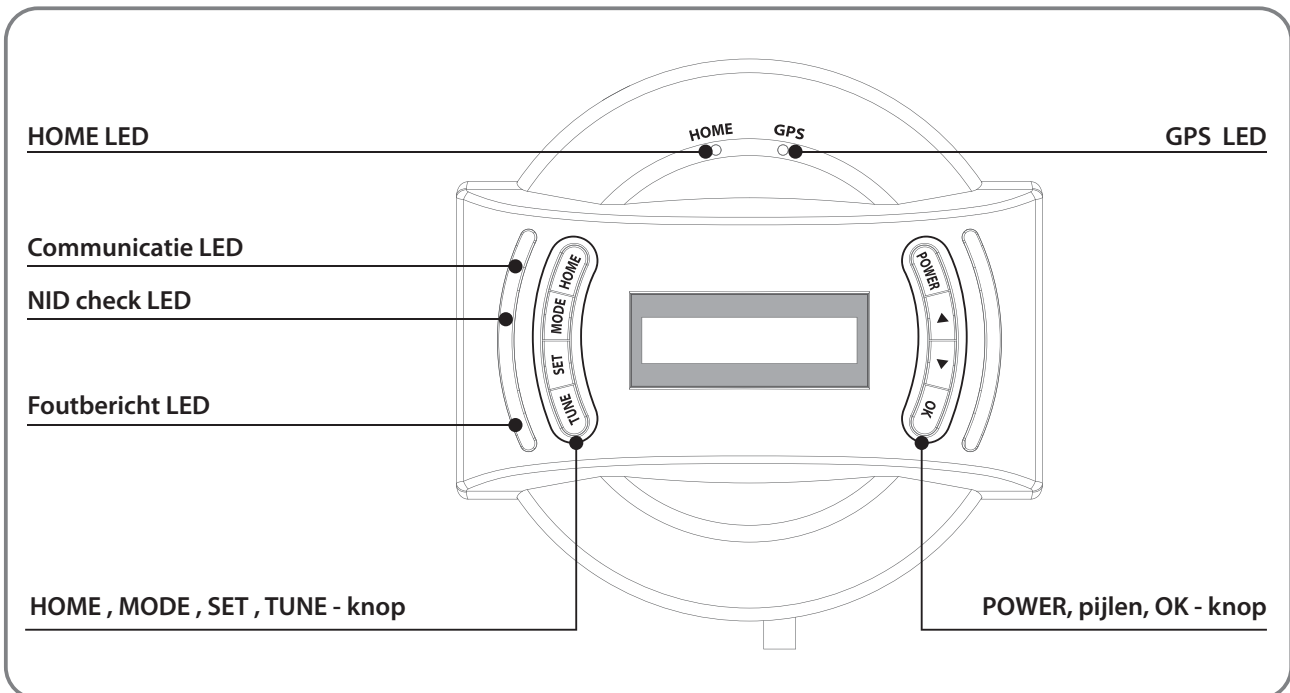
Gebruik zwarte Bedieningkabel om de antenne op de Bediening. Bedieningkabel lijkt op de ontvangerkabel, maar heeft een andere kleur en etikettering. Controleer a.u.b. de labels zodat u de juiste kabel gebruikt. Zorg dat de meegeleverde kabels worden gebruikt en op generlei wijze worden gewijzigd.



portable gebruik

Bevestig 4 Kussentjes van de Basis op de bodemplaat

3-2. Funktionsbeschreibung



1. Klaar maken voor gebruik

- a. Druk als alle kabels verbonden zijn op POWER om het systeem aan te zetten.
- b. De HOME LED zal constant oplichten om aan te duiden dat de antenne klaar is voor gebruik. Als de antenne niet terug is gekeerd naar de HOME positie, blijft de HOME LED knipperen terwijl de antenne terugkeert naar de HOME positie. Als het systeem klaar is zal de standaard satelliet "ASTRA1" of de laatst gekozen satelliet op het LCD scherm van de controller getoond worden.

Let op

In de HOME positie is de antenne volledig opgevouwen en naar voren gericht.

- c. De communicatie LED zal constant oplichten als het systeem wordt aangezet. (Dit licht betekent dat het antennesysteem correct met de controller communiceert.)
- d. De GPS LED zal knipperen tijdens het zoeken naar de huidige locatie. De LED zal constant oplichten als de GPS positie is bevestigd.
- e. Het is aanbevolen om te wachten totdat zowel de HOME als de GPS LED's constant oplichten omdat het systeem dan sneller de geselecteerde satelliet kan vinden met een nauwkeurigere uitlijning.
- f. Als de zoekoperatie start voordat GPS constant oplicht, zal de GPS LED doorgaan met knipperen zelfs nadat de satelliet al gelockt is. In dit geval kan het systeem de rotatiehoek aanpassen zodra de huidige locatie is bevestigd.

2. De satelliet selecteren

- a. Selecteer met de pijltoetsen op de controller de satelliet die u wilt zien en druk op OK.
- b. De Network Identification (NID) check LED zal knipperen en het antenne statusscherm zal "SEARCHING" tonen. Vervolgens zal "CHECKING" op het LCD scherm.
- c. De NID check LED zal constant oplichten zodra de satelliet is gevonden en dan zal "SAT FOUND" op het LCD verschijnen.
- d. Als de verkeerde satelliet heeft geselecteerd, ga dan met de pijlen naar de juiste satellietnaam en druk op OK om de nieuwe satelliet te bevestigen.

3. Terug naar de HOME positie & uitschakelen

- a. Breng het systeem na gebruik en voor het rijden terug naar de HOME positie door op HOME te drukken.
- b. Druk op HOME en houd vervolgens POWER 5 seconden lang ingedrukt om het systeem volledig uit te schakelen.
- c. Als u een langere periode op uw locatie blijft of als u stroom wilt besparen kunt u het systeem uitgevouwen laten door simpelweg de uitschakelen. Het signaal zal nog steeds door uw satelliet TV ontvanger ontvangen worden.

4. Speciale functie 1 : FIJNAFSTELLING modus

De FIJNAFSTELLING modus kan worden opgestart wanneer een geselecteerde satelliet is gevonden en gebruiker de signaalsterkte verder wilt versterken.

- a. Druk op TUNE om de FIJNAFSTELLING modus te starten.
- b. De eerste TUNE is voor AZ (azimuth). Pas met de pijltoetsen de antenne positie aan om een nieuwe positie met een betere signaalkwaliteit te vinden en druk op OK om vast te leggen. Het signaalniveau zal worden weergegeven op de controller (Q _____) of satellietontvanger.
- c. Herhaal hetzelfde proces om EL (elevatie) en SK (LNB rotatiehoek) aan te passen.
- d. Druk op de TUNE knop om de nieuwe positie van de satelliet op te slaan en af te sluiten. De opgeslagen positie zal in het geheugen worden opgeslagen voor de volgende keer dat u het systeem aanzet. De opgeslagen positie zal echter worden gereset zodra gebruiker voertuig verplaatst of een nieuwe GPS locatie bevestigt.

5. Speciale functie 2 : FOUTBERICHT

De foutbericht LED zal oplichten en het gedetailleerde foutbericht zal op het LCD scherm getoond worden als er een probleem is met het hoofdsysteem.

- i. **HOME POSITIE FOUT**
Als de antenne niet binnen de gestelde tijd terugkeert naar de HOME positie of het systeem de HOME positie niet herkent ondanks dat de antenne terug is in de HOME positie (de oorzaak ligt bij de Limiet sensor).
- ii. **TUNERFOUT**
Als er geen reactie is tijdens het zoeken naar de satelliet vanwege een defecte tuner of vanwege de instellingen.
- iii. **BEWEGINGSFOUT**
Als het systeem om een bepaalde reden niet naar de juiste positie kan bewegen.
- iv. **COMMUNICATIEFOUT**
Als de verbinding tussen het systeem en de controller langer dan 5 seconden is verbroken.

6. Speciale functie 3 : TEST modus

De TEST modus kan worden opgestart als er een foutbericht wordt getoond of als de antenne zich in de HOME positie bevindt.

- a. Druk één maal op MODE om naar de TEST modus te schakelen en druk op OK.
- b. Ga naar beschikbare functies op het LCD met de pijltoetsen en druk op OK om te selecteren.
- c. Druk op MODE om af te sluiten en terug te keren naar de vorige status.

3-3. Snelle naslag

1. Druk op POWER om het systeem aan te zetten en selecteer met de pijltoetsen een satelliet en druk op OK.
2. Wacht tot "SAT FOUND" op het LCD scherm wordt weergegeven en tot NID check (tweede LED van links) constant oplicht.
3. Nu is de geselecteerde satelliet gelockt en zullen de TV kanalen op TV getoond worden.



WAARSCHUWING

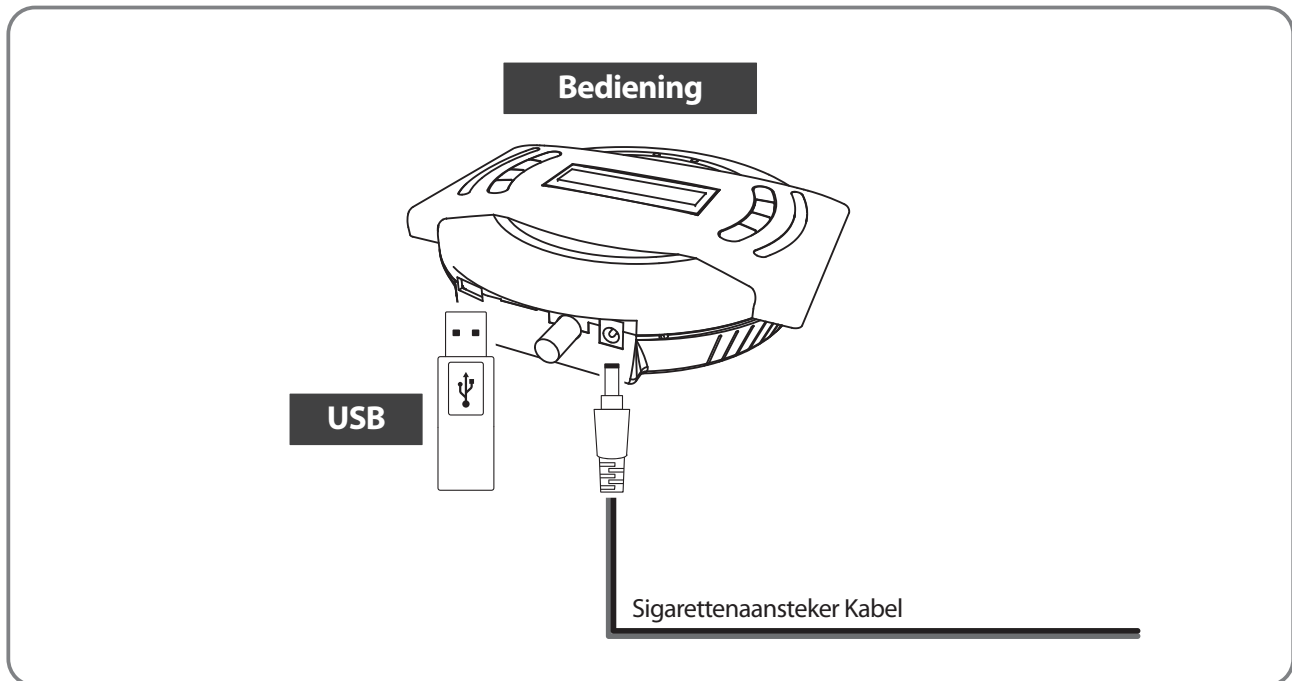
Als u het systeem gaat verplaatsen moet het systeem eerst worden teruggebracht in de HOME positie om schade te voorkomen.



Let op

SNIFE2 zal automatisch terugvrouwen naar de HOME positie als het voertuig sneller dan 25 km/h gaat terwijl het systeem aan staat.

4. Program-Upgrade



Let op

Alleen de USB 2.0 standaard kan voor upgraden worden gebruikt.

1. Kopieer het softwareprogramma naar de USB hoofdmap (niet in een andere map) op een lege USB stick.
 - i. Ga a.u.b. naar de website www.selfsat.com om het update programma (software) te downloaden.
 - ii. Als de controller de USB stick niet herkent, verwijder de USB stick dan en steek deze in een PC. Klik met de rechtermuisknop op de USB map, ga naar "Eigenschappen" en controleer of het "bestandssysteem" FAT32 is. Zo nee, klik dan opnieuw met de rechtermuisknop op de USB map, ga naar "Formatteren" en stel het bestandssysteem in als FAT32.
2. Zorg ervoor dat het systeem uitstaat en steek de USB stick in de USB poort aan de zijkant van de controller.
3. Druk op de TUNE knop en houd deze ingedrukt terwijl u de POWER knop indrukt.
4. Het systeem zal aan gaan en het LCD scherm zal "USB connected, F/W Update mode" vertonen.
5. Zodra "UPGRADE FINISHED" wordt getoond is de update voltooid en kan de USB stick verwijderd worden.

5. Geavanceerde instellingen

De transponder (TP) modus wijzigen

- i. Druk tweemaal op MODE om naar de Wijzig TP MODE te gaan en druk op OK.

Let op

Gebruik de pijltoetsen om te selecteren, getallen in te stellen en beschikbare opties te zien. De individuele getallen kunnen met de cursor worden aangepast. Druk op OK om naar de volgende optie te gaan. U hoeft deze functie alleen te gebruiken als de satellietoperator alle parameters gewijzigd heeft.

- ii. Selecteer de satelliet die uw wilt wijzigen, bijv. "00 XXXX (naam satelliet) ~ 11 XXXX" en druk op OK.
- iii. Stel het TP getal in tussen "00~02" en druk op OK. (Voor elke satelliet zijn drie TP's geprogrammeerd.)
- iv. Herhaal hetzelfde proces voor het invoeren van data voor FREQ (frequentie) en SYMBOL (symbool rate).
- v. Selecteer het type signaal (DVBS of DVBS2) en druk op OK.
- vi. Selecteer de polarisatie (VER (verticaal) of HOR (horizontaal)) en druk op OK.
- vii. Selecteer YES of NO om op te slaan en/of terug te gaan naar de eerste stap van Wijzig TP MODE.
- viii. Druk op MODE om af te sluiten en de SNIPE2 zal terugkeren naar de vorige status.
- ix. Druk op SET en selecteer vervolgens YES en druk op OK om handmatig de TP data te RESETTEN. SNIPE2 Start opnieuw om de reset toe te passen de volgende keer dat u opstart.

6. Probleemoplosser

Er zijn een aantal veelvoorkomende zaken die de signaalkwaliteit of het functioneren van de SNIPE2 kunnen beïnvloeden.

A. De aan/uitknop reageert niet.

- i. Controleer of alle kabels goed zijn aangesloten
 - Verbinding tussen het vermogen en de Bediening
 - Verbinding tussen de Bediening en de antenne. Zorg ervoor dat de linker-poort van de antenne moet worden aangesloten op de Bediening.
- ii. Controleer of de stroomtoevoerkabel is beschadigd.
- iii. Controleer de polen van de batterij (+/-).

B. De schotel kan de gewenste satelliet niet vinden.

- i. Satelliet signalen kunnen geblokkeerd of verzwakt worden door gebouwen, bomen en andere obstakels. Controleer of u vanuit de antenne vrij zicht op de satelliet heeft..
- ii. Selecteer een andere satelliet, bijv. Astra3, en selecteer als deze wordt gelockt vervolgens uw gewenste satelliet, bijv. Astra1
- iii. Zet het systeem uit en weer aan en selecteer dan gewenste satelliet.

C. Mechanische problemen

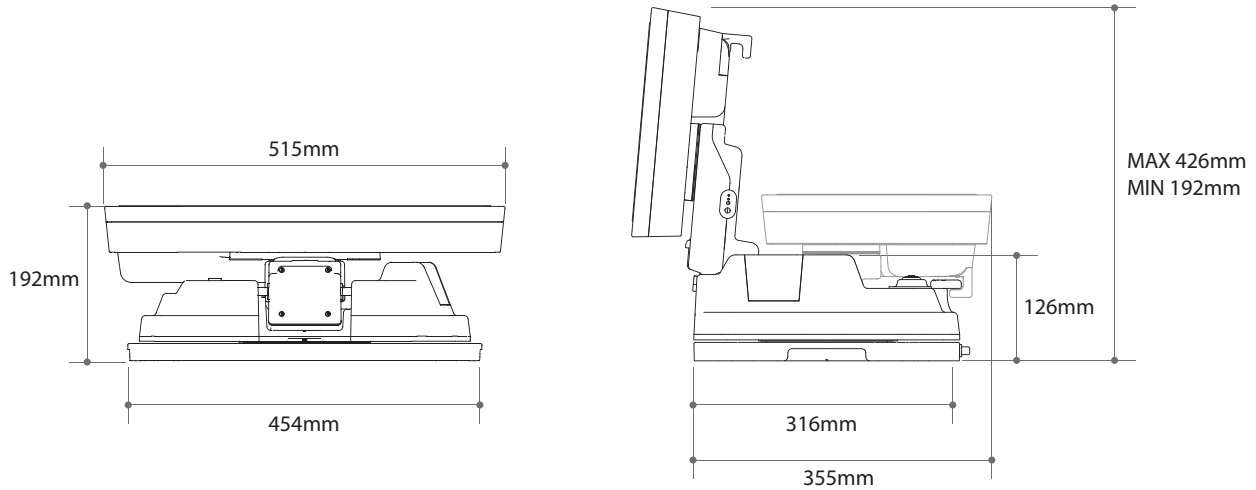
- i. In het geval dat de antenne niet meer beweegt.
 - Probeer dan de stroom aan en uit te zetten.
- ii. In het geval dat de antenne een geluid maakt terwijl deze niet beweegt.
 - Probeer dan de stroom aan en uit te zetten. Als dit niet werkt neem dan contact op met lokale dealer/verkooppunt voor assistentie.

D. Andere zaken

- i. Als het systeem verkeerd is aangesloten zal het niet correct werken, neem contact op met lokale dealer/verkooppunt voor assistentie en controle van de kabels.

7. Technische specificaties

7-1. Afmetingen



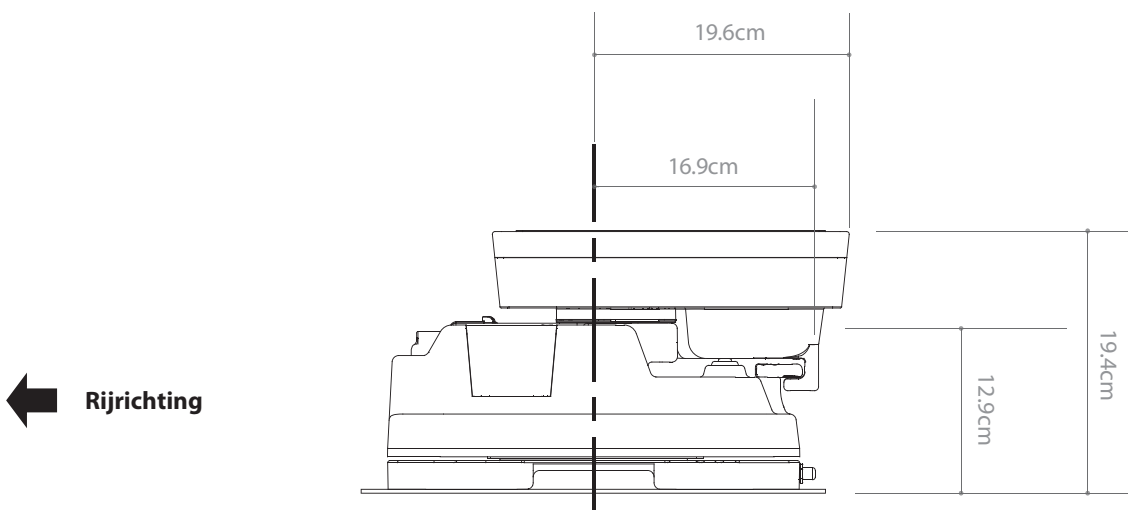
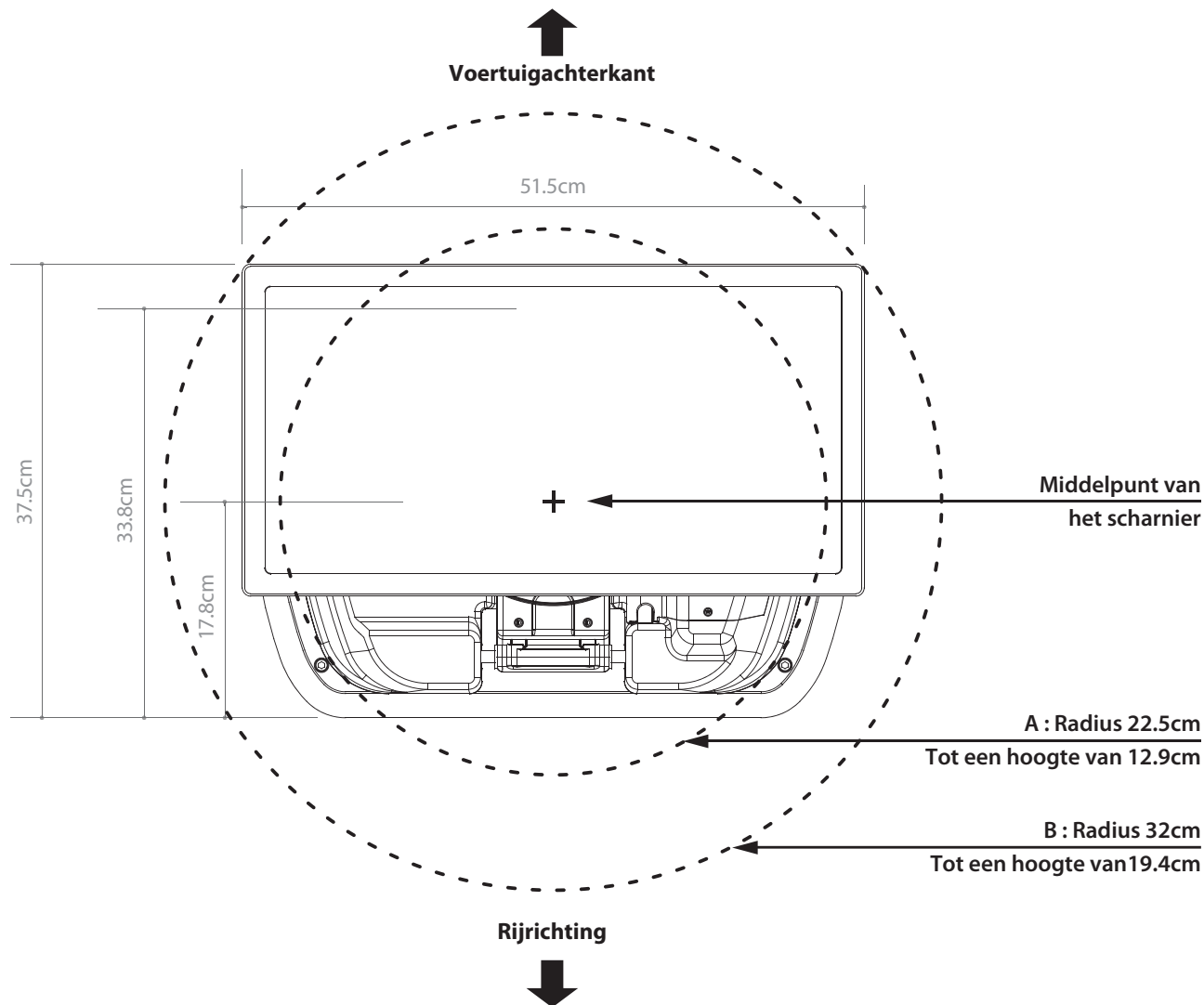
7-2. Specificaties

Frequentiebereik input	10.7 ~ 12.75 GHz
Polarisatie	Horizontaal/Verticaal
Versterking signaal (Gain)	33.7 dBi @ 12.7 GHz
Afmetingen (W x D x H)	515 x 355 x 192 mm
Gewicht	10.1 kg
Min. uitgestraald vermogen (EIRP)	50 dBW
Draaibereik (Elevatie/Rotatie/Skew)	15° ~ 90°/ 360°/ -45° ~ +45°
Maximale zoektijd	120 seconden (gemiddeld)
LNB uitgang	1 uitgang (optie 2 uitgang)
LNB Frequentiebereik output	950 ~ 2,150 MHz
L.O. Frequentie	9.75 / 10.6 GHz
Werktemperatuur	-30 °C ~ +60 °C
Ingangsspanning	DC 12 ~ 24 V
Stroomverbruik tijdens zoeken	30 W (in het zoeken)

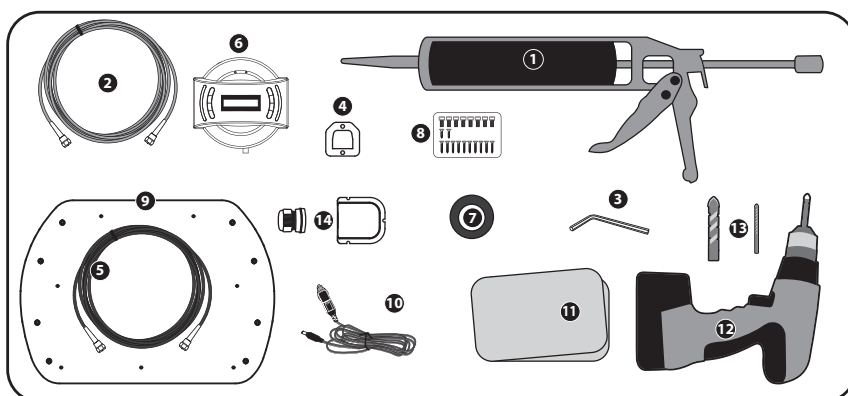
8. Caravan / Camper Installatie

8-1. Benodigde ruimte voor de SNIPE2

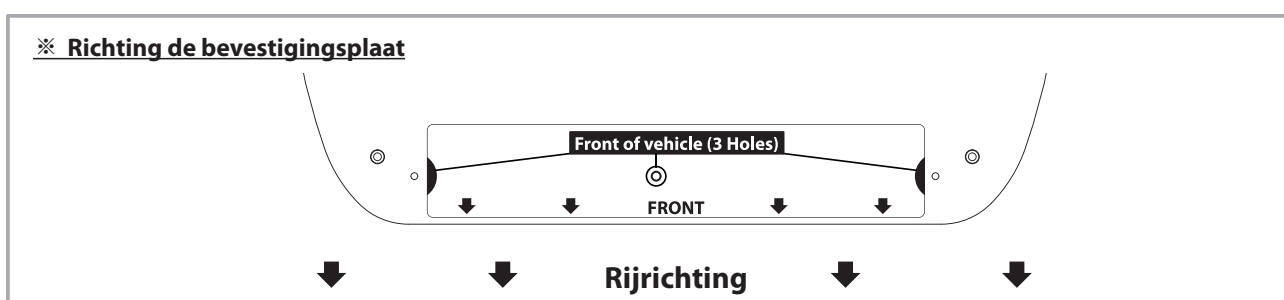
Zorgen , dat er voldoende ruimte is voor de vouw SNIPE2, net als voor de operatie range (cruising radius).



8-2. Apparatuur voor de installatie

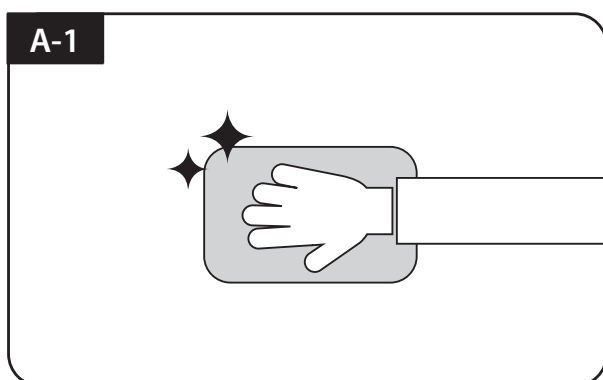


- 1 Siliconenkit
- 2 Ontvangerkabel (12m - grijs)
- 3 Inbussleutel
- 4 Beugel voor Bediening
- 5 Bedieningkabel (12m - zwart)
- 6 Bediening
- 7 Wrijvingstape
- 8 M6 x 15(8), M4 x 16(2), M4 x 20(10)
- 9 Montageplaat
- 10 Sigarettenaansteker kabel (stroomtoevoerkabel)
- 11 Schoonmaakmiddel
- 12 Boormachine
- 13 2mm boorbitje, 15mm boorbitje
- 14 kabelhouder en Kabelwartel

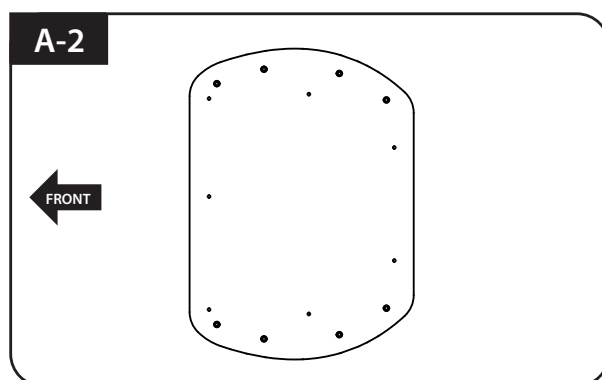


8-3. Installatie

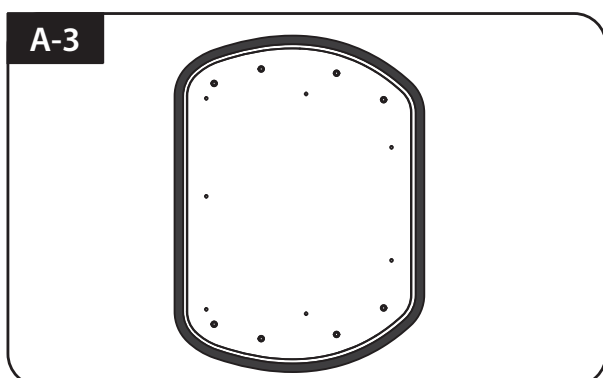
A. Montageplaat Installatie op het autodak



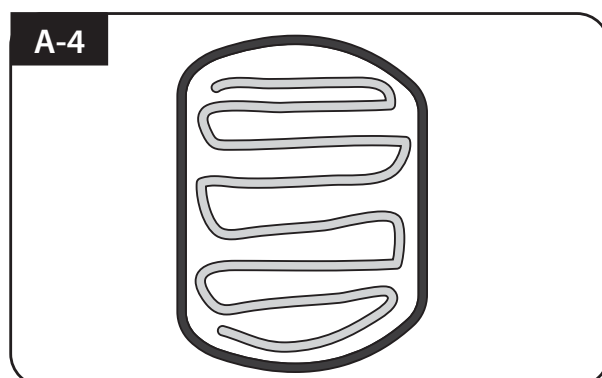
Reinig het oppervlak met reinigingsmiddel



Zoek montageplaat in het centrum van autodak



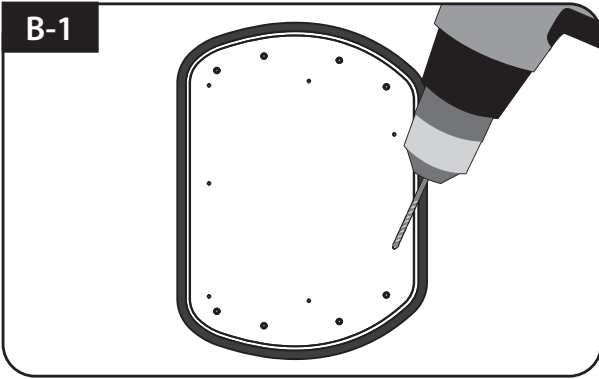
Bevestig wrijvingstape buiten de montageplaat door 5mm afstand van de plaatranden



Zet opzij de montageplaat, siliconen toe te passen binnen de Wrijvingstape lijn maar laat 2 cm naar binnen gat van de lijn

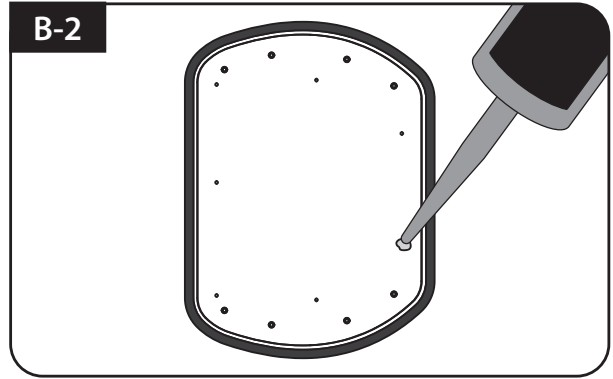
B. Schroef 7 stuks van M4x20 bout om de montageplaat te bevestigen

B-1



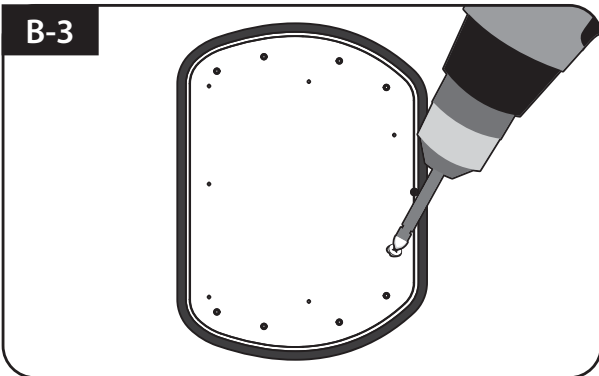
Plaats de montageplaat op de siliconen en maak 7 gaten (2 mm) met een boormachine

B-2



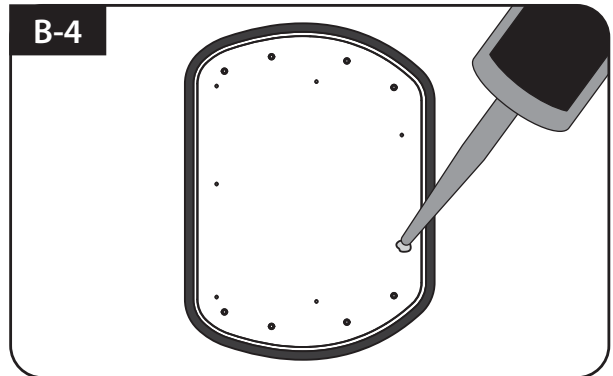
Breng silicone op de gaten

B-3



Schroef zeven (7) van M4x20 bouten

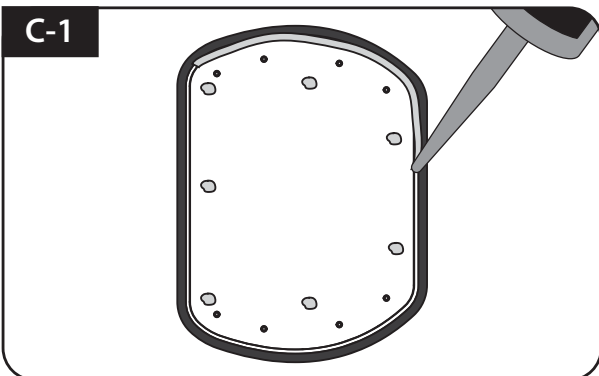
B-4



Re-Breng siliconen op geschroefdbouten

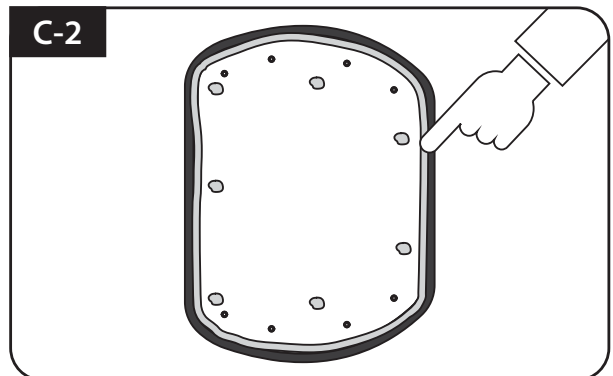
C. Breng siliconen tussen fix beugel en Wrijvingstape

C-1



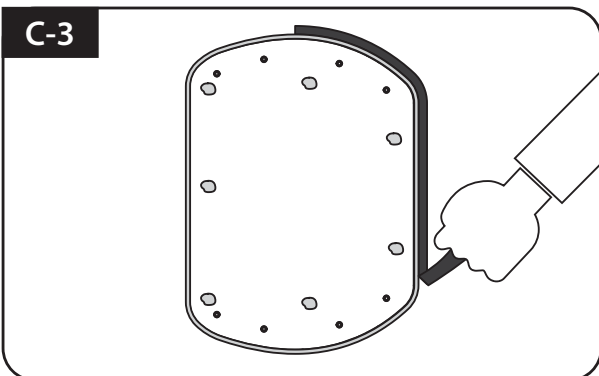
Breng siliconen rond montageplaat

C-2



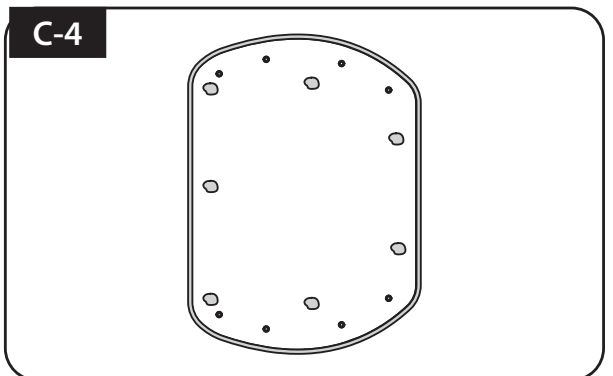
Tidy siliconenoppervlak

C-3



Verwijder de Wrijvingstape, en laten drogen

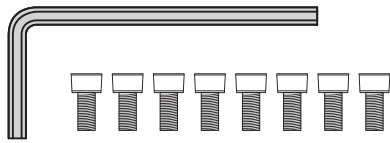
C-4



Bereid je voor om de antenne te plaatsen op de staander acht bouten

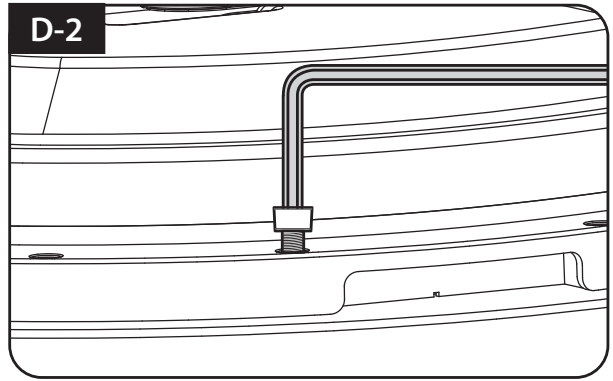
D. Bevestig de montageplaat met 8 stuks van bouten met Inbussleutel

D-1



Onderdelen nodig, inbussleutel en acht (8) van de M6 x 15 bouten

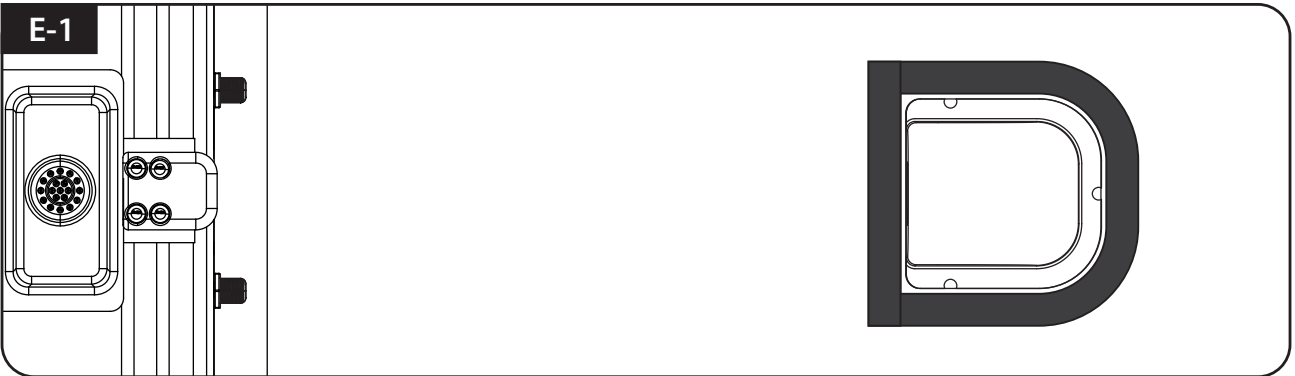
D-2



Plaats de antenne op de montageplaat en draai stevig elk van de bouten met een inbussleutel

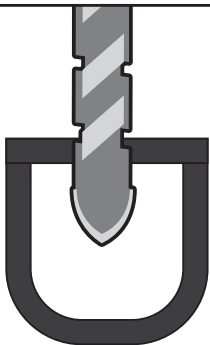
E. Kabelhouder installatie 1

E-1



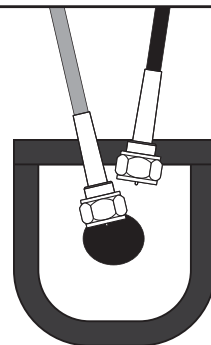
Plaats de kabelhouder voor het middelpunt van de antenne (30cm ervan af) met de open zijde van de kabelhouder naar de bevestigingsplaat toe. Plak vervolgens wrijvingstape op de buitenkant van de kabelhouder

E-2



Boor een gat van 15mm in het midden van de markering van de tape

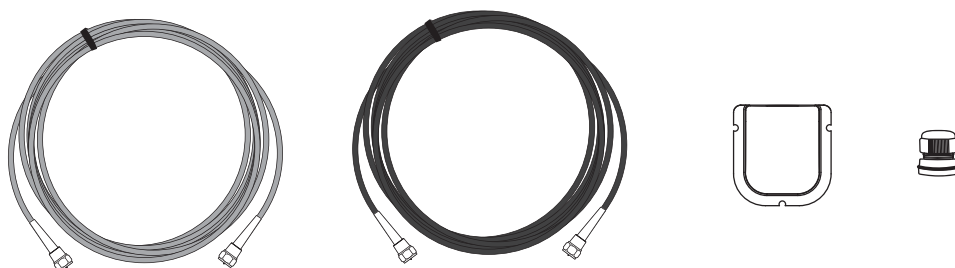
E-3



Plaats Receiver & Controller kabel door het gat

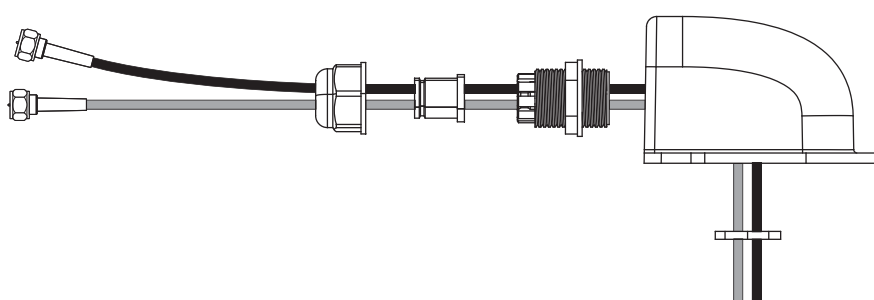
F. Kabelhouder installatie 2

F-1



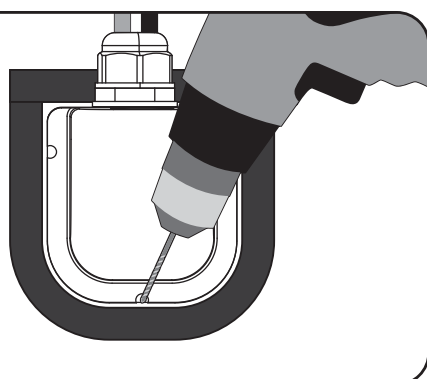
Bedieningskabel, Ontvangerkabel, kabel houder en Kabelwartel nodig

F-2



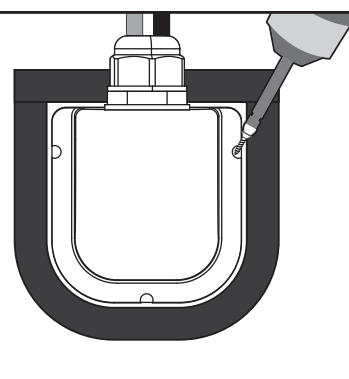
Steek de kabels erin zoals aangegeven op de foto.

F-3



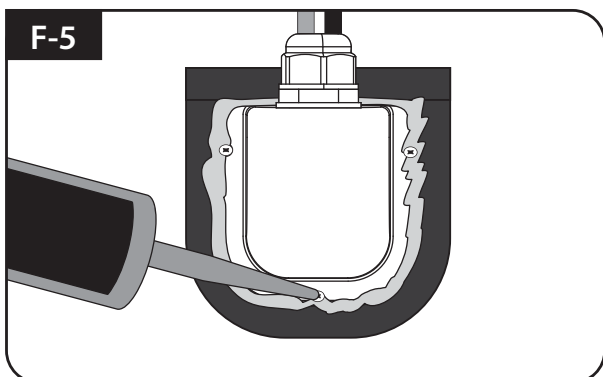
Plaats en houd de geassembleerde kabel houder binnen de band markeringen. Boor drie (3) 2mm gaten

F-4



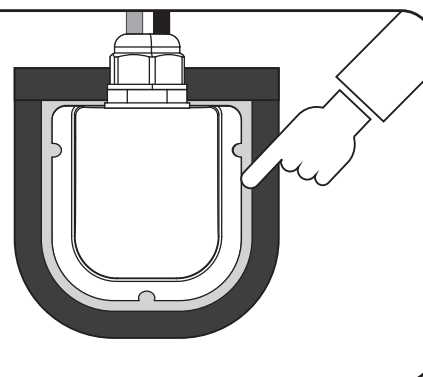
Fix kabel houder op het voertuig dak met drie (3) van de M4 x 20 schroeven op boorgaten gemaakte

F-5



Breng siliconen rond kabelhouder en op geschroefdbouten voor waterdichte

F-6



Sluit kabels aan relatieve poorten. Verwijder wrijving tape vervolgens tidy siliconenoppervlak voordat droog

G. Bediening installatie

G-1



Vorbereiden sigarettenaanstecker kable
(Vermogen kabel)

G-2



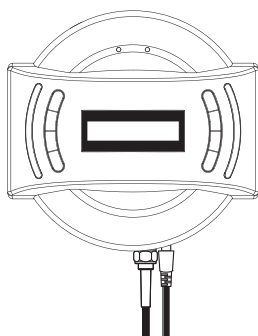
Fix controller beugel waar het zou vast, behulp van twee (2) van M4x16 schroeven



Let op

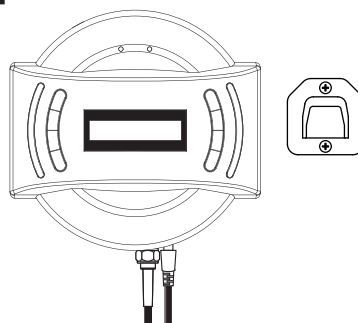
Het systeem kan gebruik maken van de stroomtoevoer van de accu in uw auto. Maak een stroomtoevoerkabel voor een directe verbinding door met een sigarettenaanstecker de kabelmantel te knippen en van de koperen kabel te trekken.

G-3



Aansluiten Stroom naar de controller en de antenne, behulp van de sigarettenplug en Bedieningskabel.

G-4



Plaats de controller op een vaste beugel

Innehåll

1. Allmän information

1.1. Inledning	2
1-2. Korrekt användning och drift	3
1-3. Säkerhetsanvisningar	3

2. Delar

2-1. Medföljande delar	4
2-2. Benämning på delar	5

3. Användarinstruktion

3-1. Installationsschema	6
3-2. Funktionsbeskrivning	7
3-3. Snabbpreferens	9

4. Program uppdatering

10

5. Avancerade inställningar

11

6. Felsökning

12

7. Specifikationer

7-1. Mått	13
7-2. Specifikationer	13

8. Husvagn / Husbil Installation

8-1 . Erforderligt utrymme för SNIPE2	14
8-2. Utrustning för installation	15
8-3. Installation	15

1. Allmän information

1-1. Inledning

Dessa instruktioner beskriver funktioner och drift av SNIPE2 automatisk satellitantenn.

Korrekt och säker drift av systemet kan endast garanteras om man följer dessa instruktioner.

SNIPE2 är en intelligent satellitantenn som kan ställa in sig mot en förinställd satellit automatiskt så länge systemet är beläget inom fotavtrycket för denna satellit.

SNIPE2 upptar endast erforderligt utrymme samtidigt som den utför de nödvändiga inställningarna med den tunna och smidiga antennen.

För användning, se till att systemet alltid har fri sikt. Om satellitens signalmottagning störs av hinder som berg, byggnader eller träd, kommer enheten inte att fungera och ingen TV-signal kommer att tas emot.

För mer information om allmän användning av denna enhet kontakta din lokala återförsäljare för att få hjälp.

1-2. Korrekt användning och drift

Denna produkt har utformats för fast installation på fordon med en högsta hastighet av 130 km/t. Den är utformad för att automatiskt sikta in sig på en av de geostationära TV-satelliterna.

Strömmen till systemet tillhandahålls av fordonets elektriska system med en nominell spänning på 12 eller 24 volt.

För installationer i fordonet, använd ingångskabel (cigarettändarkabel) för att få ström. För portabelt bruk, måste extra strömadapter som produceras av SNIPE2 tillverkaren användas. Användning av utrustningen för andra ändamål än specificerade är inte tillåtet.

Observera även följande instruktioner från tillverkaren:

- Man får inte lägga till eller ta bort komponenter av den här produkten.
- Användningen av andra komponenter än de som ursprungligen inköpta.
- När du eller din entreprenör klarar Installation, måste ni strikt följa alla instruktioner i den medföljande bruksanvisningen. Underlåtenhet att följa bruksanvisningen kan skada enheten eller ditt fordon.
- Produkten kräver inget regelbundet underhåll; all service ska utföras av godkända servicecenter.
- Alla relevanta riktlinjer av fordonsindustrin måste iaktas och efterlevas.
- Utrustningen får endast installeras på fasta fordons tak.
- Undvik att rengöra din bil med den monterade antennen i en automatisk biltvätt eller med en högtryckstvätt.

1-3. Säkerhetsanvisningar

Läs noggrant och följ bruksanvisningen i den här handboken och använd SNIPE2 för det avsedda ändamålet.

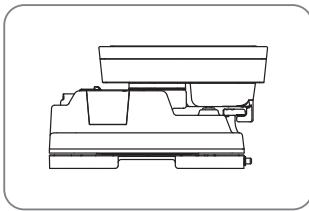
Vid installationen av SNIPE2, se till att installationen är klar med medföljande kablar och att kablarna är inte modifierade på något sätt.

Som användare av denna utrustning, är du ansvarig för själv säkerställa att gällande lagar och förordningar.

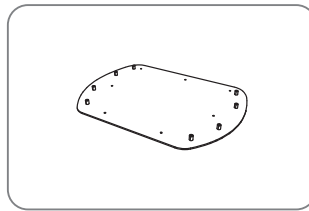
Tillverkaren tar inte ansvar för direkta eller indirekta följdskador av systemet, motorfordon eller annan utrustning på grund av olämplig inkoppling till batteri, felaktig installation eller felaktig anslutning av anslutningskablar.

2. Delar

2-1. Medföljande delar



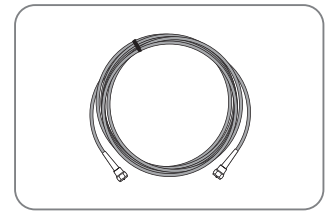
Huvudenhet



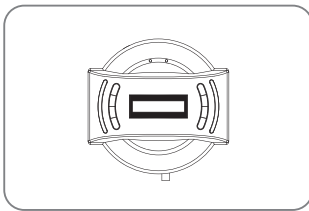
Monteringsplatta



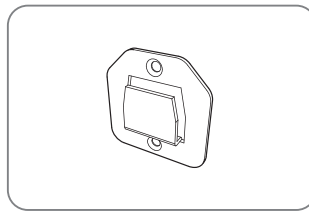
Adapter cigarettuttag
(cigarette ljus)



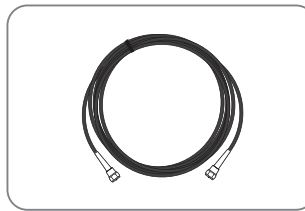
Kabel mottagare - 12m, Grå
(x2 för 2 utgångar)



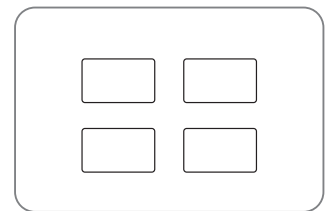
Kontrollenhet



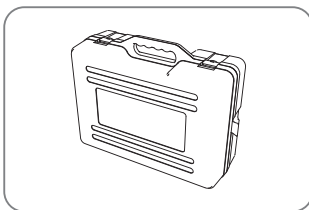
Hållare kontrollenhet



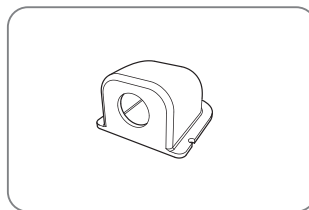
Kabel Kontrollenhet -12m, svart



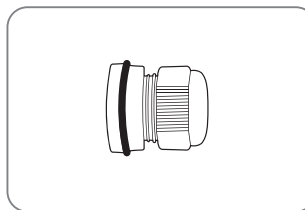
Baskudden (4)



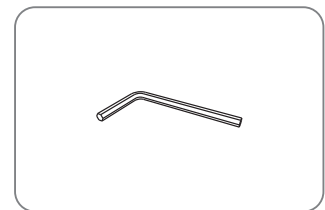
Bärande Väska



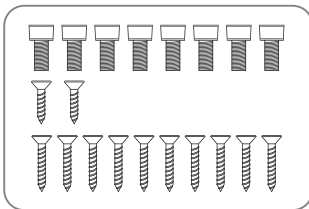
Kabelhus



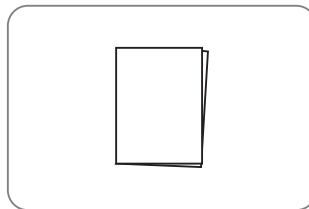
Kabelgenomföring



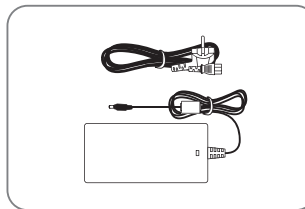
Insexnyckel



M6 × 15(8),
M4 × 16(2), M4 × 20(10)



Manuel d'utilisation

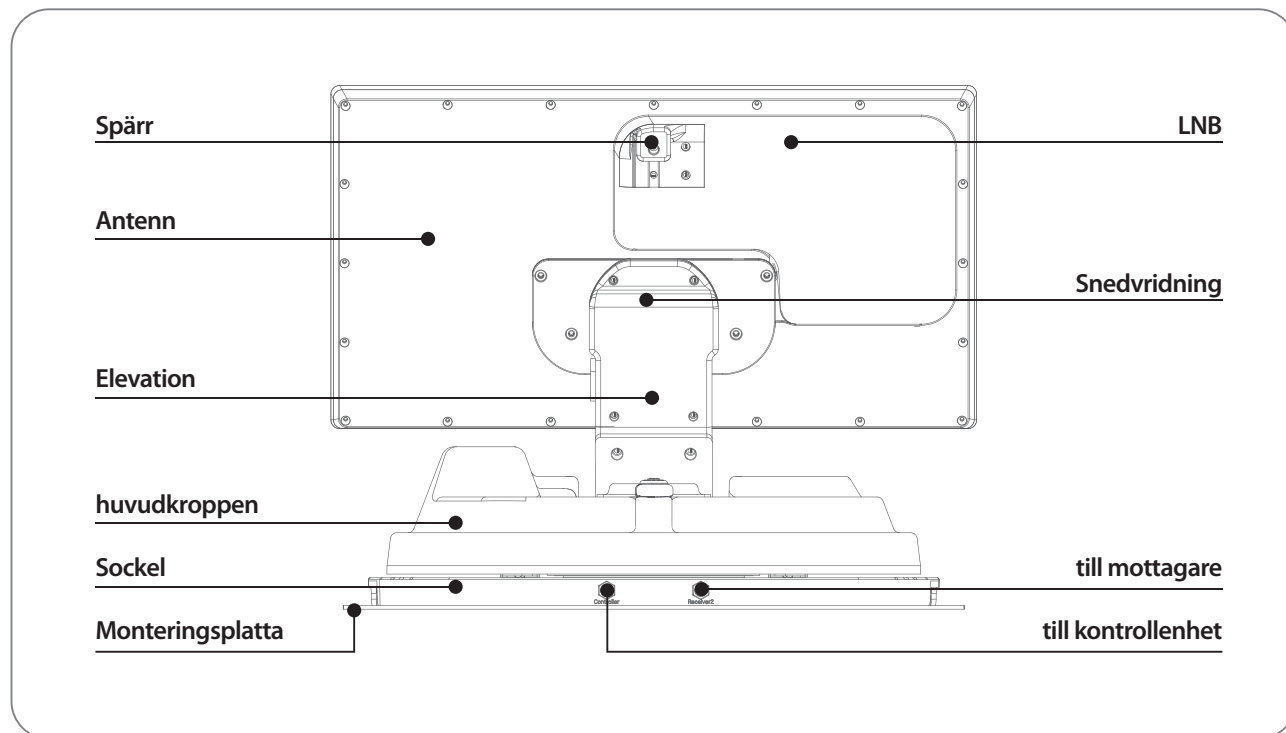


Strömadapter (frivillig)

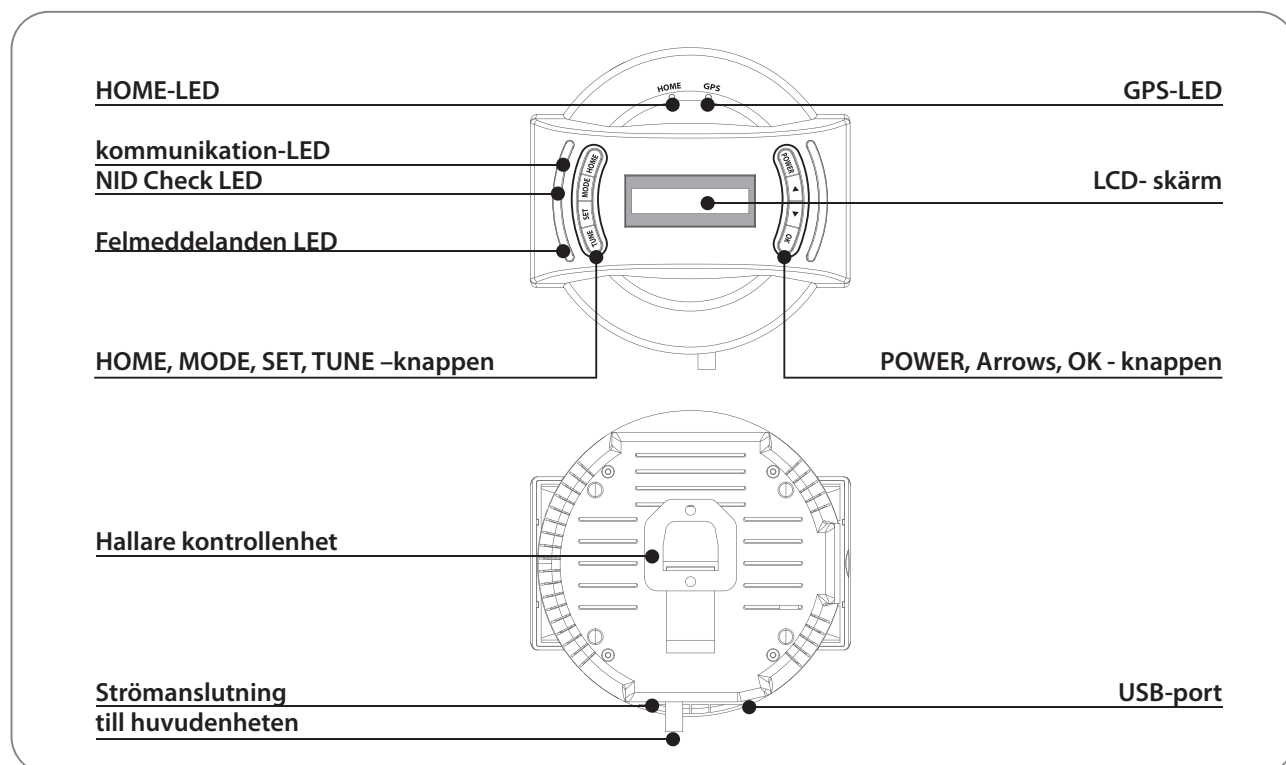
- ❖ **Strömadapter måste köpas separat. Fråga din lokala återförsäljare/butik för mer information.**
- ❖ **Endast strömadapter som produceras av SNIPE serie tillverkaren garanteras och får användas.**
- ❖ **Vissa komponenter kan skilja sig från bilderna ovan.**
- ❖ **Enheten gör det möjligt att få ström från bilbatteriet. För att sätta ingångskabel i direkt anslutning, avbryt cigarette ljus och skala av för att ta koppelkablarna.**

2-2. Benämning på delar

Huvudenhet

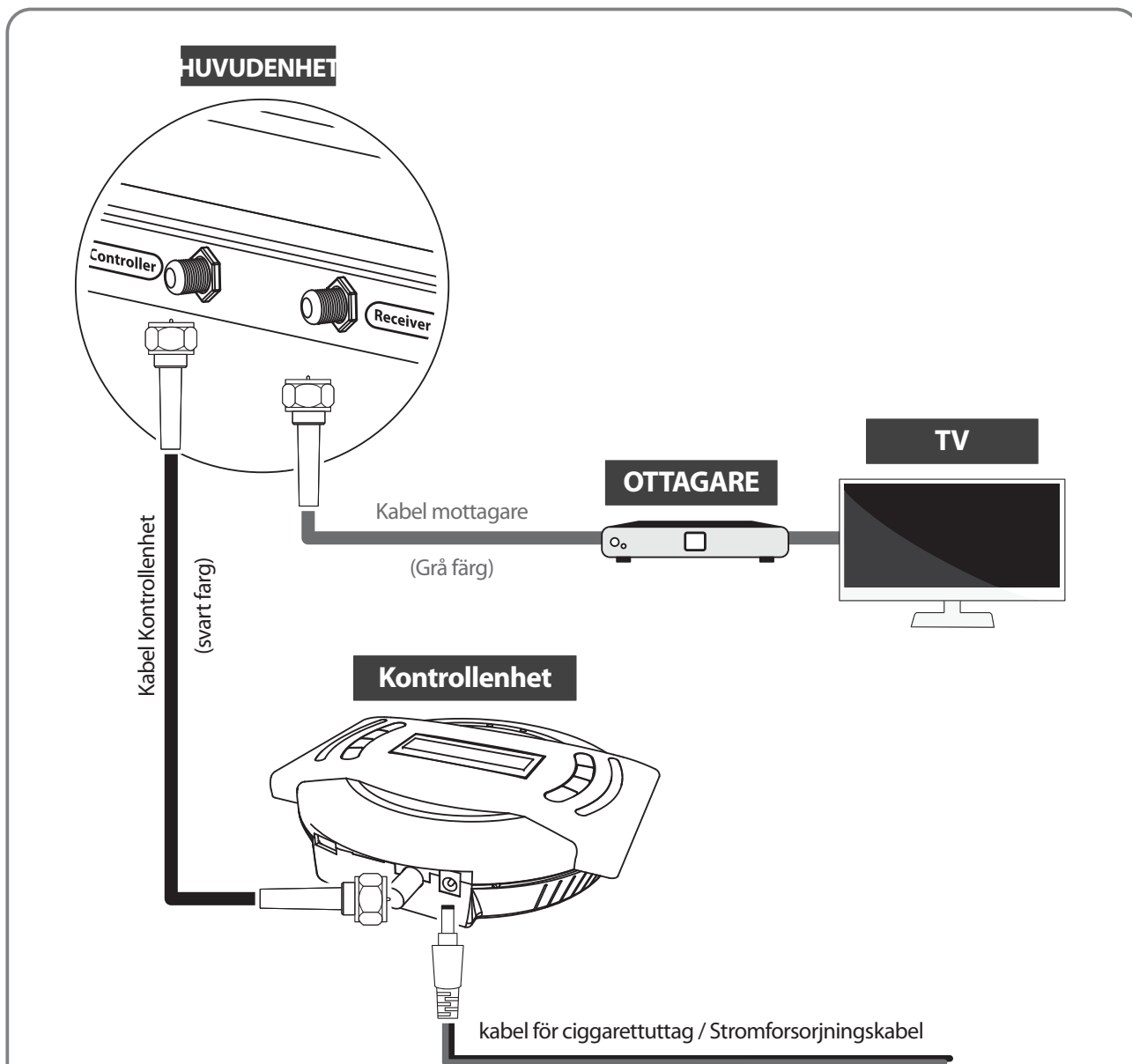


Kontrollenhet



3. Användarinstruktion

3-1. Installationsschema



Använd svart Kabel Kontrollenhet för att ansluta antennen till styrenheten. Controller kabel liknar mottagarens kabel men har olika färg och märkning.

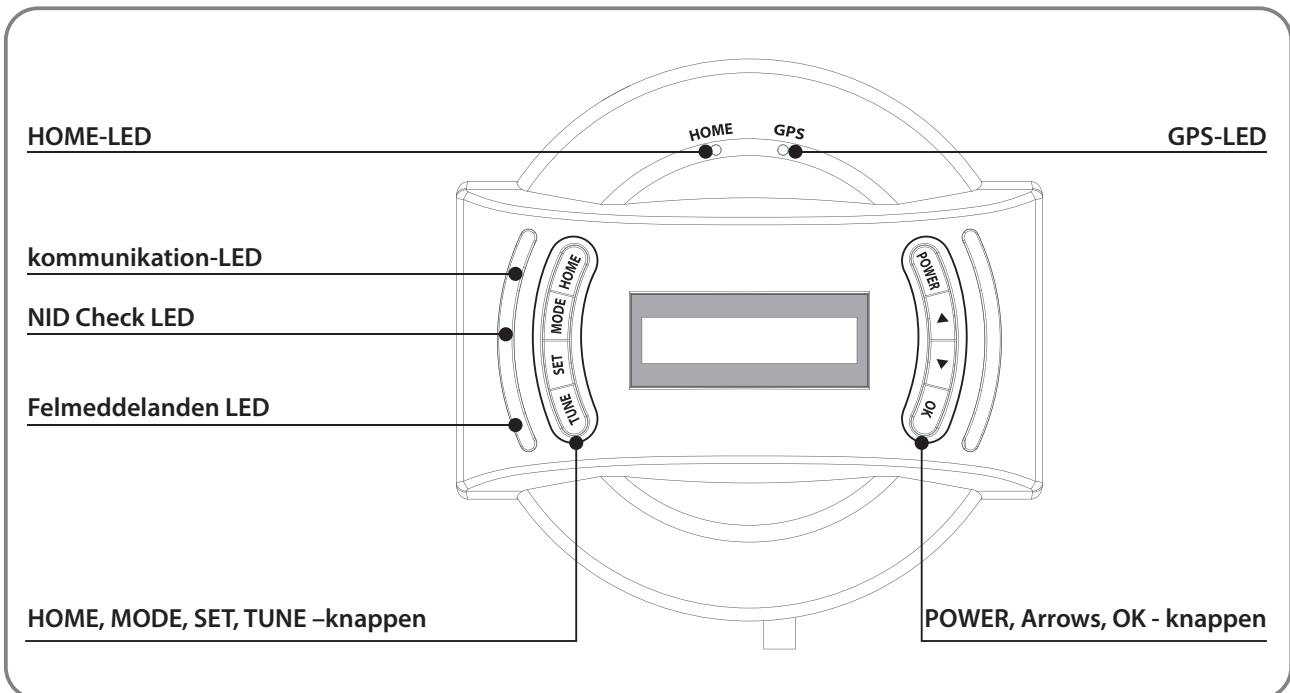
Kontrollera etiketterna för att använda rätt kabel för jobbet. Se till att medföljande kablar är inte modifierade på något sätt.



Bärbar användning:

Baskudden (4) bas belägg på undersidan av antennenbasen.

3-2. Funktionsbeskrivning



1. Gör dig redo att använda

- När alla kabelanslutningar är klara, tryck på POWER för att slå på enheten.
- När HOME LED är fast, innebär detta att antennen är redo att gå.
Om antennen inte går tillbaka till HOME läget, kommer HOME LED att fortsätta på att blinka medan antennen kommer tillbaka till HOME. När enheten är klar, kommer standard satelliten "ASTRA1" eller senast valda satellit visas på LCD-skärmen av kontrollern.

Observera

HOME läget är när antennen är helt nedfällt och vänd framåt.

- Kommunikation LED kommer att vara fast när enheten är påslagen.
(Detta ljus betyder att antennenheten kommunicerar med controller korrekt.)
- GPS LED blinkar när den letar efter den aktuella platsen. När GPS-läget har bekräftats blir LED fast.
- Det rekommenderas att vänta tills både HEM & GPS LED är fasta, eftersom det gör det möjligt för enheten att hitta vald satellit snabbare med mer exakt inriktning noggrannhet.
- Om sökoperationen startar före GPS blir fast, fortsätter GPS LED på att blinka även när satelliten är redan låst. I Detta fall kan enheten justera skev när dess aktuella plats bekräftats.

2. De satelliet selecteren

- a. Välj den satellit som du vill titta på med hjälp av pilknapparna på kontrollern och tryck på OK.
- b. Nätverksidentifiering (NID) check LED ska blinka och antennens status ska visa "SEARCHING" och sedan "CHECKING" ska visas på LCD-skärmen.
- c. NID check LED blir fast när satelliten är hittad och sedan "SAT FOUND" visas på LCD-skärmen
- d. Om fel satellit väljs, flytta till rätt satellitnamnet med pilar och tryck OK för att bekräfta en ny satellit.

3. Gå tillbaka till HOME-läget och Stänga av

- a. Efter användning och innan du reser, tryck HOME för att returnera enheten tillbaka till HOME-läget.
- b. För att helt stänga av enheten, trycker på HOME och sedan hålla POWER i 5 sekunder.
- c. Om användaren stannar på en plats under en längre tid eller vill spara ström, kan användaren lämna enheten upp genom att helt enkelt stänga enheten av. Signalen ska fortfarande komma fram till satellit-TV-mottagare.

4. Specialfunktion 1: FINE TUNE läget

FINE TUNE läget kan initieras när en vald satellit är hittad och användaren vill öka signalstyrkan ytterligare.

- a. Tryck på TUNE för att starta FINE TUNE läget.
- b. Den första TUNE är för AZ (Azimut). Justera antennens läget med hjälp av pilknapparna för att hitta ett nytt läge som ger bättre signal kvalitet och tryck på OK för att hitta signal. Signalnivån kommer att visas på kontrollern (Q ___) eller satellitmottagare.
- c. Upprepa samma process av EL (Elevation) och SK (LNB skew) justering.
- d. För att spara ett nytt satellitens läge och avsluta, tryck på knappen TUNE. Det sparade nya läget kommer att sparas till nästa sväng på. Men när fordonet rör sig eller bekräftar ett nytt GPS-läget, kommer det sparade läget återställas.

5. Specialfunktion 2: Felmeddelande

Felmeddelande-LED kommer att tändas och felmeddelandet detaljer kommer att visas på LCD-display, detta kommer avdela om det finns något problem med huvudenheten.

- i. **HOME POSITION error (HOME LÄGET fel)**
Om antennen inte kommer tillbaka till HOME läget inom den tillåtna tiden eller systemet inte känner igen HOME läget trots att antennen är tillbaka till HOME läget (Begränsningen sensorn är defekt).
- ii. **TUNNER error (TUNNER fel)**
Om det inte finns någon respons vid sökning satelliten på grund av en felaktig mottagare eller dess inställningar.
- iii. **MOVEMENT error (RÖRELSE fel)**
Om enheten inte kan röra sig i rätt läge av någon anledning.
- iv. **COMMUNICATION error (KOMMUNIKATION fel)**
Om anslutningen mellan enheten och styrenheten bryts och det varar längre än 5 sekunder

6. Specialfunktion 3: TEST läget

TEST läget kan initieras antingen när ett felmeddelande visas eller antennen är i HOME läget.

- a. Tryck på MODE en gång för att gå i TEST-läget och sedan tryck på OK.
- b. Gå till de tillgängliga funktionerna på LCD med pilknapparna och tryck på OK för att välja.
- c. För att avsluta, trycka på MODE och enheten kimmer att återgå till tidigare status.

3-3. Snabbreferens

1. Tryck på POWER för att sätta på enheten och välj en satellit med hjälp av pilknapparna och tryck på OK.
2. Vänta tills "SAT FOUND" visas på LCD-skärmen och NID check (andra LED på vänster sida) blir fast.
3. Nu har den valda satelliten låsts och TV-kanalerna kommer att visas på TV.



VARNING

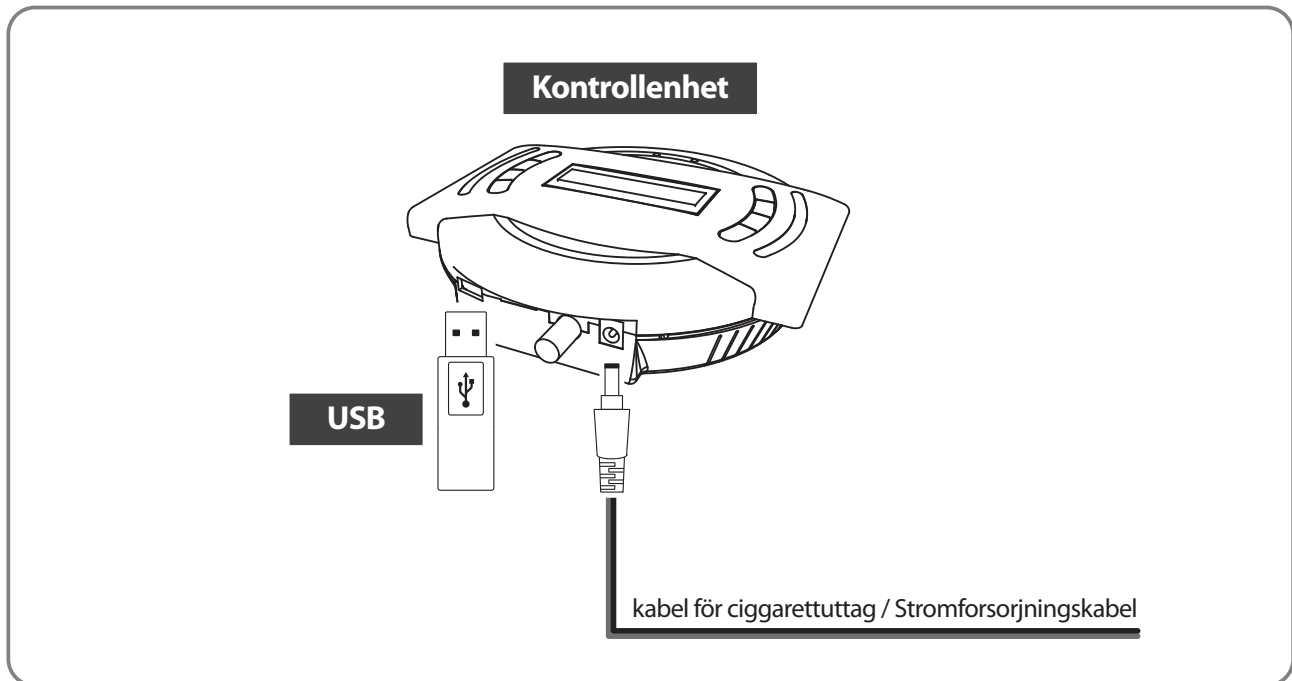
När användaren flyttar enheten, måste enheten returneras till HOME läget för att förhindra skador.



Observera

Enheten kommer automatiskt att vika tillbaka till HOME läget om fordonet rör sig snabbare än 25km/h när enheten drivs.

4. Programuppgradering



Observera

USB 2.0-standarden bör endast användas för uppgradering.

1. Överför program till en USB-rotmapp (som inte hör till någon annan mapp) i en tom USB.
 - i. Gå till hemsidan www.selfsat.com att ladda ned uppdateringsprogram (programvara).
 - ii. Om en controller inte känner igen USB-enheten, tar USB ut och koppla in en dator. Högerklicka USB mapp, gå till "Egenskaper" och kontrollera om "Filsystem" är FAT32. Om det inte är, högerklicka USB mappen igen, gå till "Format" och åter-setup ett filsystem till FAT32.
2. Se till att enheten är avstängd och anslut USB-enheten till USB-porten på sidan av kontrollern.
3. Tryck och håll på knappen TUNE och sedan tryck också på POWER-knappen.
4. Enheten kommer att slås på och "USB connected, F/W Update mode" kommer att visas på LCD-skärmen.
5. När "Upgrade FINISHED" visas, uppdateringen är klar; då ta bort USB-enheten.

5. Avancerade inställningar

Modifiera Transponder (TP) Läge

- i. Tryck på MODE två gånger för att komma in Modify TP MODE och sedan tryck på OK.

Observera

För att välja och ställa siffror, använd pilknapparna för att se tillgängliga optioner. Justera siffrorna individuellt med markören och tryck på OK för att gå vidare till nästa option. Du behöver använda den här funktionen bara om satellitoperatören ändrar alla sina parametrar.

- ii. Välj den satellit som ska modifieras, som exempelvis "00 XXXX (satellitens namn) ~ 11 XXXX" och tryck på OK.
- iii. Välj TP nummer bland "00 ~ 02" och tryck på OK. (Tre TP:s är programmerade för varje satellit)
Upprepa samma process genom att mata in uppgifter för NID (Network identitet), FREQ (frekvens) och SYMBOL (symbolhastighet).
- iv. Välj typ av signal DVBS eller DVBS2 och tryck på OK.
- v. Välj polarisering VER (vertikal) eller HOR (horisontell) och tryck på OK.
- vi. JA eller NEJ för att spara och/eller gå tillbaka till första etappen av TP Modify.
- vii. För att avsluta, tryck på MODE och enheten kommer att återgå till sin föregående status.
- viii. För manuell TP dat RESET, tryck på SET och välj JA och tryck sedan på OK.
- ix. Starta om enheten för att tillämpa återställningen gå till nästa start.

6. Felsökning

Det finns ett antal gemensamma frågor, kvaliteten på de mottagna signalerna eller driften av SNIPE2. Följande avsnitt behandlar orsaker och möjliga lösningar.

A. Ingen funktion när du slår på kontrollenheten

- i. Kontrollera ännu en gång att alla kabelanslutningar gjorts korrekt.
 - Anslutning mellan DC12 ~ 24V anslutning och kontrollenheten
 - Anslutning mellan kontrollenhet och antenn. Kontrollera att den höger porten av antennen är ansluten till kontrollenheten.
- ii. Kontrollera att ingångskabeln inte har skadats.
- iii. Kontrollera batteripolerna (+/-).

B. Misslyckas att söka vald satellit

- i. Satellitsignaler kan blockeras eller störas av t.ex. byggnader och träd. Se till att det inte finns några hinder i riktning söderut.
- ii. Välj en annan satellit, till exempel Astra3; om detta lås, då välj din önskade satellit. t. ex. Astra1.
- iii. Stäng enheten av och sedan sätta den på igen och välj din önskade satellit.

C. Mekaniska problem

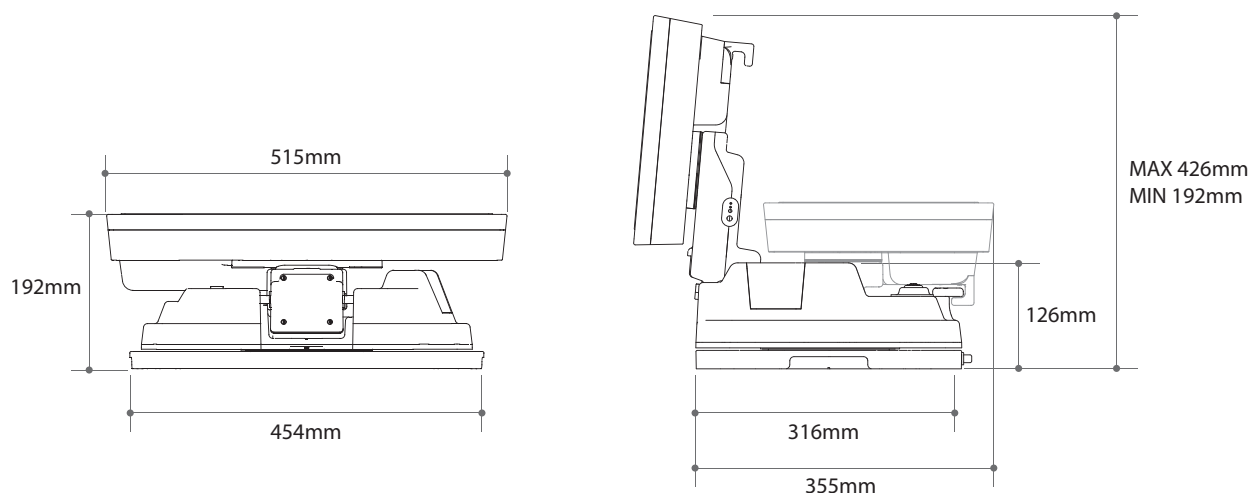
- i. Om antennen inte flyttar sig till önskat läge.
 - Försök med att stänga av/på igen.
- ii. Om antennen ger ifrån sig ovanliga ljud samtidigt som den står statiskt.
 - Försök att stänga av/på igen. Om problemet kvarstår, kontakta din lokala återförsäljare för att få hjälp.

D. Övriga problem

- i. Om systemet är felaktigt inkopplat, kommer det inte att fungera korrekt. Kontakta din lokala distributör för att få hjälp av kabelskador.

7. Specifikationer

7-1. Mått



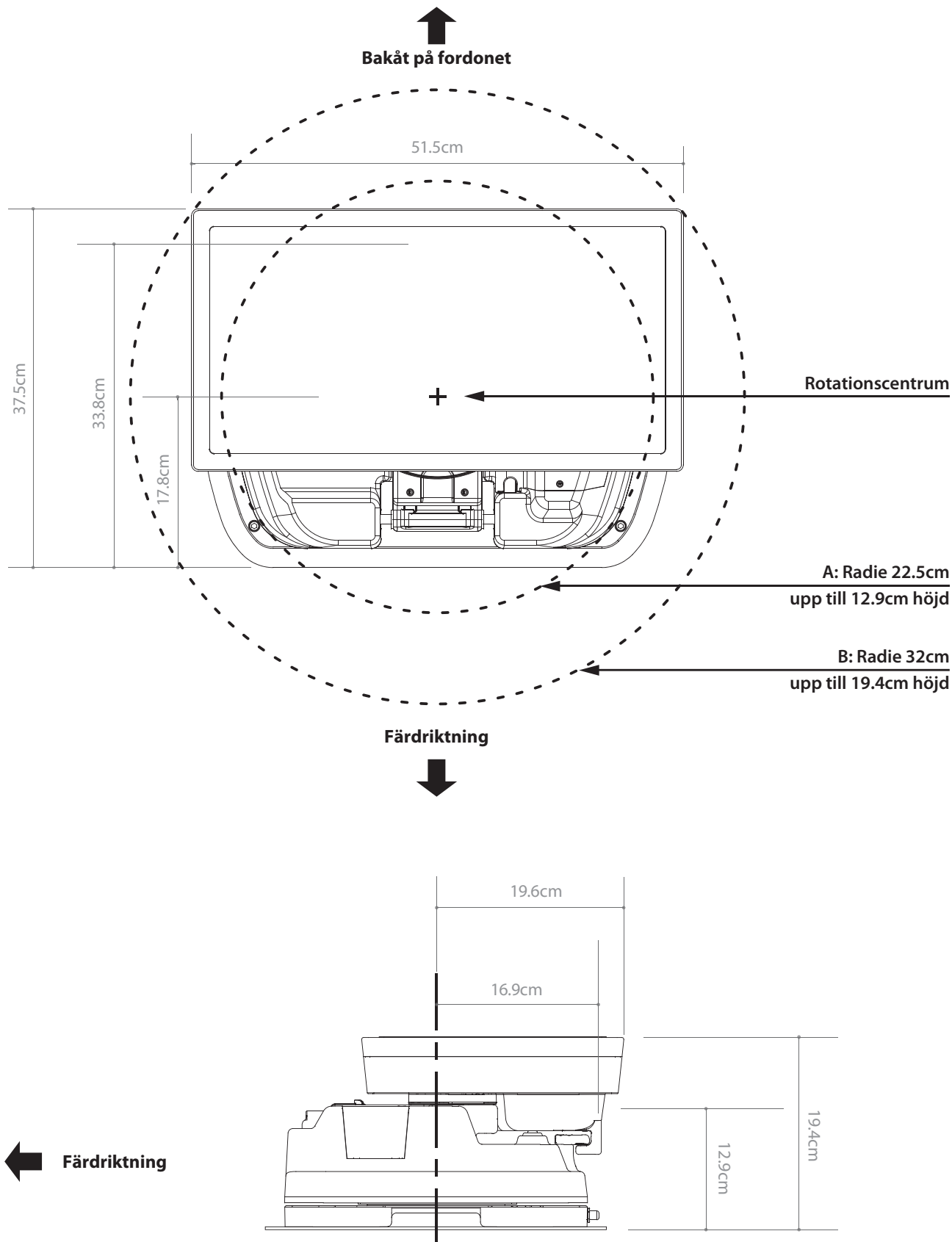
7-2. Specifikationer

Ingångsfrekvens	10.7 ~ 12.75 GHz
Polarisation	Linjär (horisontell / vertikal)
Antennförstärkning	33.7 dBi @ 12.7 GHz
Dimensioner (W x D x H)	515 x 355 x 192 mm
Vikt (huvudenhet)	10.1 kg
Min EIRP	50 dBW
vinkelområdet (elevation / azimut / snedvridning)	15° ~ 90° / 360° / -45° ~ +45°
Satellit Söka Tie	120 sekunder (Genomsnittlig)
LNB- Utgång	1 utgång / 2 utgång (tillval)
LNB Utdatafrekvens	950 ~ 2,150 MHz
L.O. frekvens	9.75 / 10.6 GHz
Temperaturområde	-30 °C ~ +60 °C
Ingångsspänning	DC 12 ~ 24 V
Strömförsörjning	30 W (att söka)

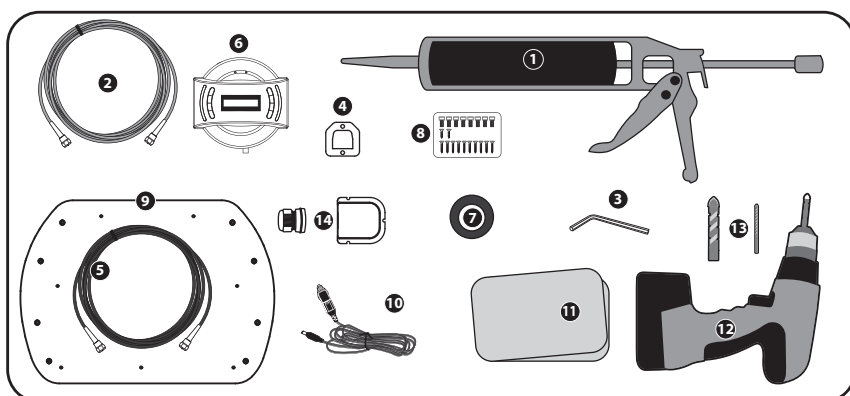
8. Husvagn / Husbil Installation

8-1 . Erforderligt utrymme för SNIPE2

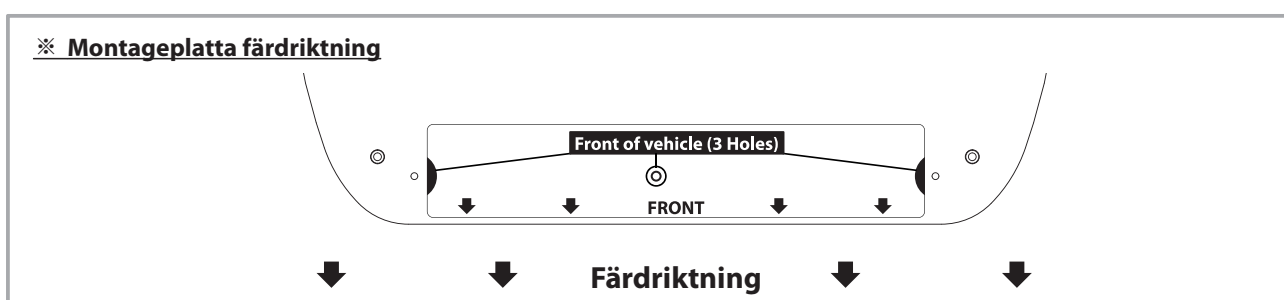
Achten Sie darauf , dass genügend Platz für die fach SNIPE2, ebenso wie für den Betriebsbereich (Aktionsradius).



8-2. Utrustning för installation

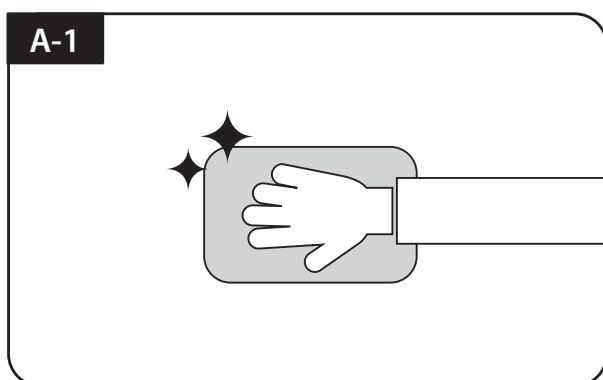


- 1 silikon
- 2 Kabel för mottagare (12m - Grå färg)
- 3 Insexnyckel
- 4 Hållare kontrollenhet
- 5 Kabel för Kontrollenhet (12m - svart färg)
- 6 Kontrollenhet
- 7 friktionstejp
- 8 M6 x 15(8) , M4 x 16(2) , M4 x20(10)
- 9 Monteringsplatta
- 10 Adapter cigarettuttag (Strömförsörjningskabel)
- 11 Rengöringsmedel
- 12 Borrmaskin
- 13 2mm borrar & 15mm borrar
- 14 Kabelhus & Kabelgenomföring

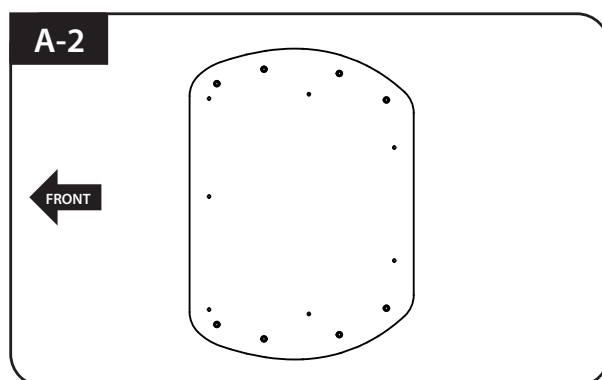


8-3. Installation

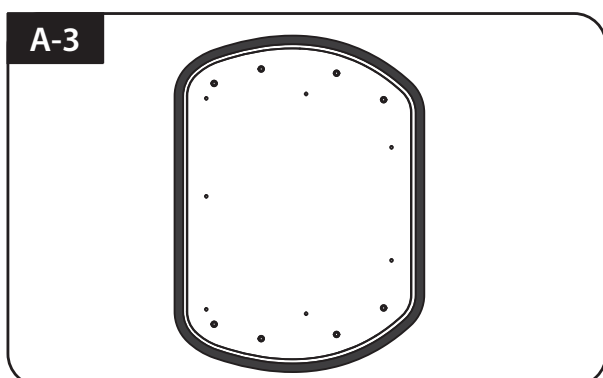
A. Monteringsplatta monteras på ett fordon tak



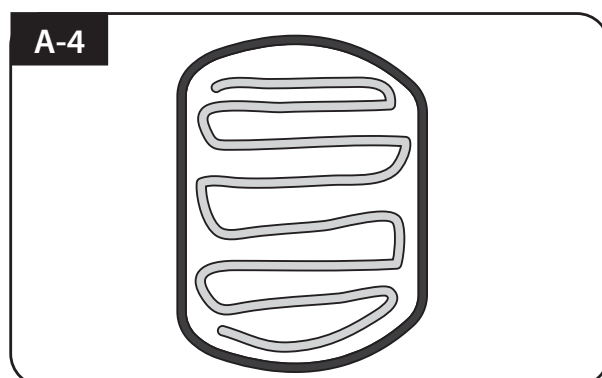
Rengör ytan med Rengöringsmedel



Leta monteringsplattan i mitten av fordonstaket



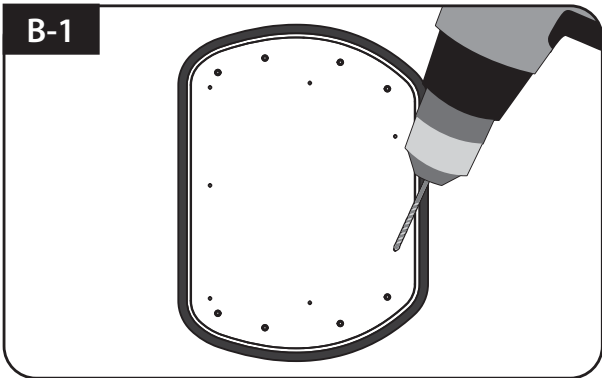
Fäst friktionstejp utanför monteringsplattan med 5mm bort från plattkanterna



Sätt undan monteringsplattan att tillämpa silikon i bifogade tejpelinjen men lämna 2 cm inåt gap från linjen

B. Skruv 7st av M4x20 bult för att fixera monteringsplattan

B-1



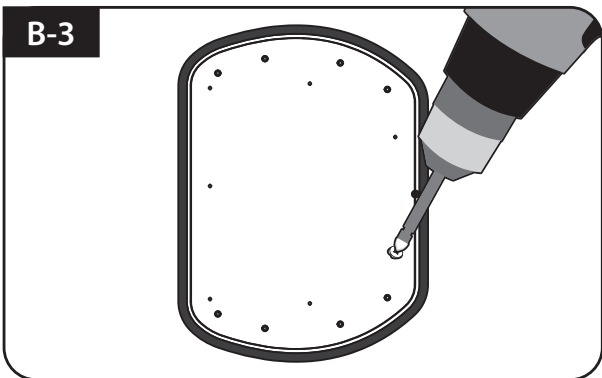
Placera monteringsplattan på silikon och gör 7 hål (2mm) med en bormaskin

B-2



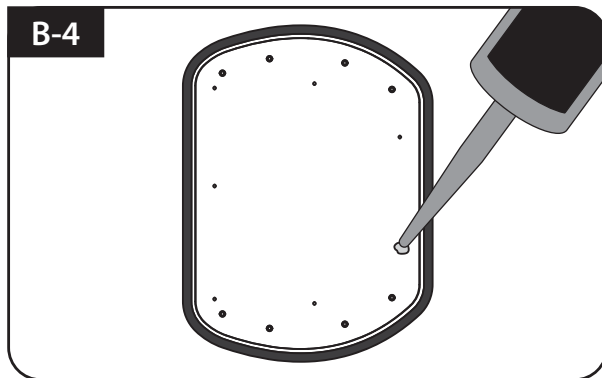
Applicera silikon på hålen

B-3



Montera sju (7) M4x20 bultar

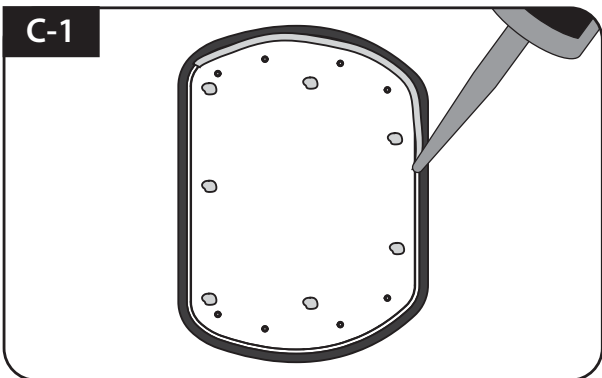
B-4



Applicera silikon för att täcka bultar skruvas

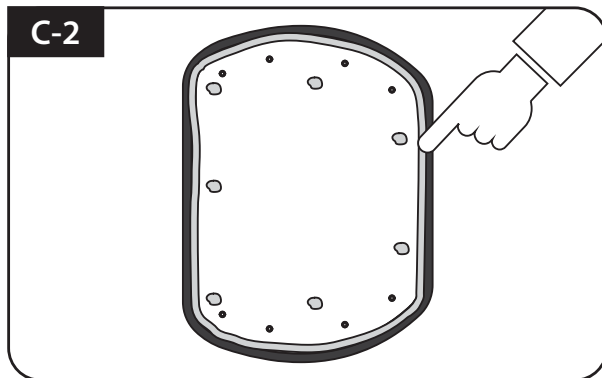
C. Applicera silikon mellan monteringsplatta och friktionstejp

C-1



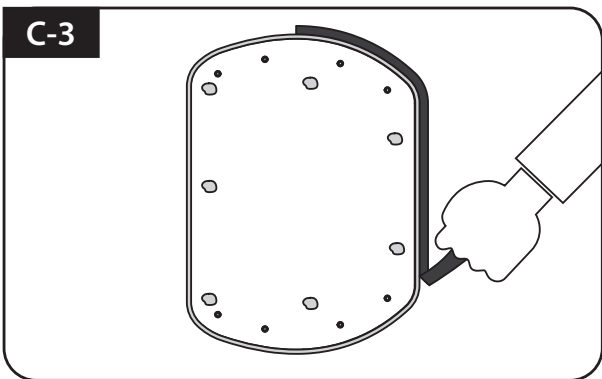
Applicera silikon runt monteringsplattan kant

C-2



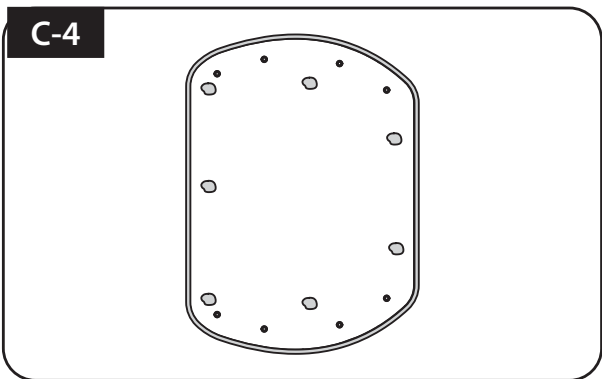
Städad silikonyta

C-3



Ta bort friktionstejp och torka silikon

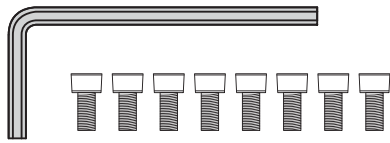
C-4



Förbered dig på att placera antennen på de åtta uppräta bultar

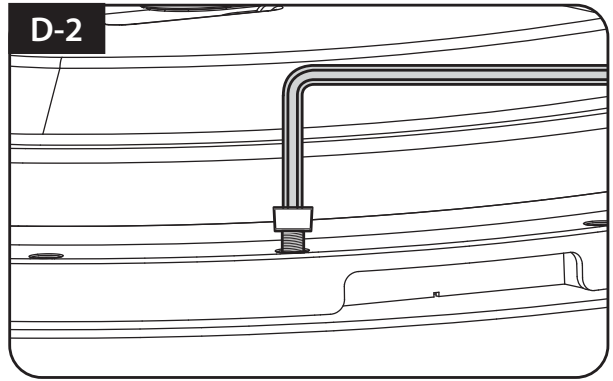
D. Fäst monteringsplattan med 8 st bultar med hjälp av insexnyckel

D-1



Delar krävs, insexnyckel och åtta (8) i M6 x 15 bultar

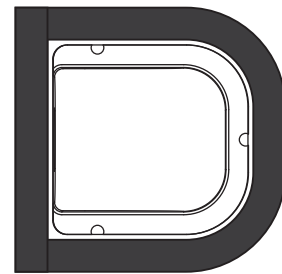
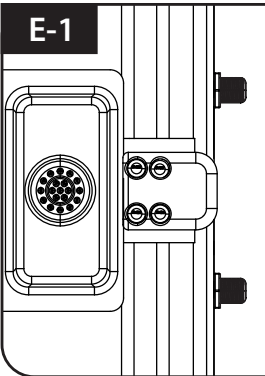
D-2



Placera antennen på monteringsplattan och dra åt ordentligt varje bultarna med insexnyckel

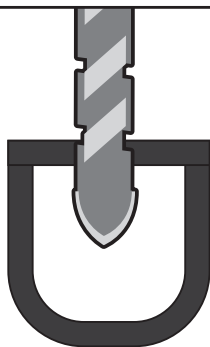
E. Kabelhållaren installation 1

E-1



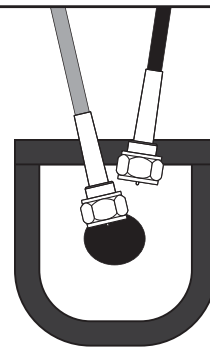
Placera kabelhållaren 30cm från den bakre delen av antennen. Applicera friktionstejp 5mm från utsidan av hållaren

E-2



Borra ett 15mm hål (eller större) i mitten av bandet märkning

E-3



Se till att hålstorlek är tillräckligt stor för att sätta in alla kablar ihop med av en och en

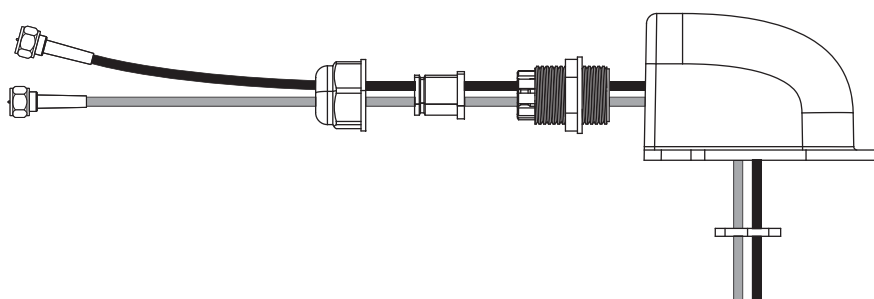
F. Kabelhållaren installation 2

F-1



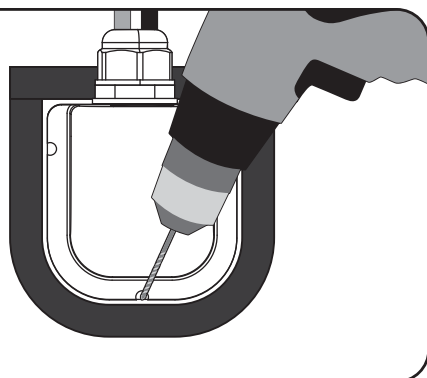
Kabel Kontrollenhet, Kabel mottagare, Kabelhus och Kabelgenomföring krävs

F-2



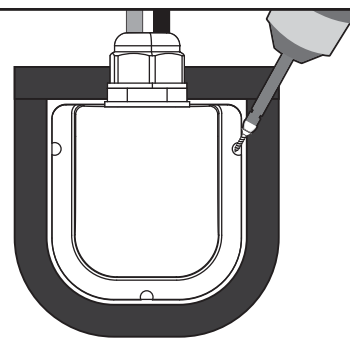
Ställ in nödvändiga delar som bilden ovan

F-3



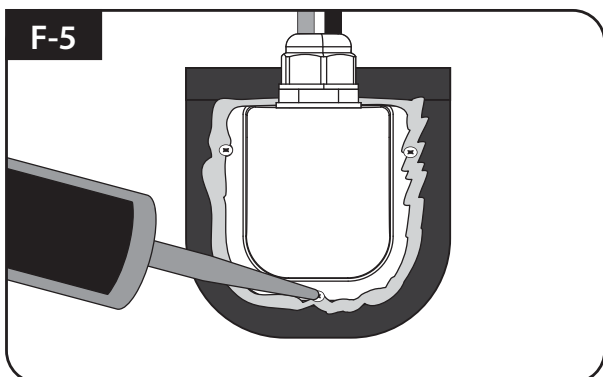
Placera och håll den monterade kabelhållaren innanför bandmarkeringar. Borra tre (3) 2mm hål

F-4



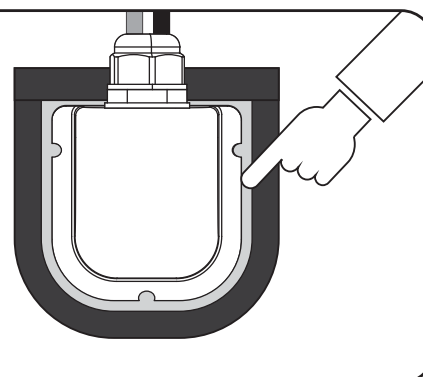
Fäst kabelhållaren på fordonets tak med tre (3) i M4 x 20 skruvar på borrhål gjort

F-5



Applicera silikon runt kabelhållaren och på toppen av skruvar för vattentäta

F-6



Anslut kablarna till relativa hamnar. Avlägsna friktions tejp därefter snyggt silikon innan torr

G. Kontrollenhet installationen

G-1



Förbereda kabel för cigarettuttag
(Strömförsörjningskabel)

G-2



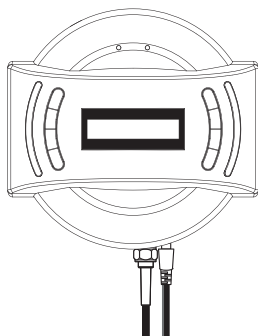
Fix Hållare kontrollenhet där den ska monteras
användning av två (2) i M4x16 skruvar

Observera



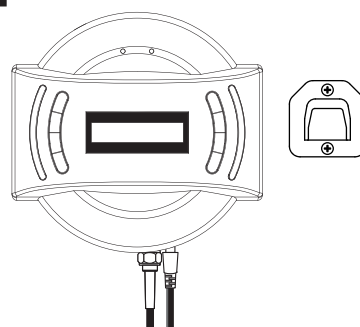
Enheten gör det möjligt att få ström från bilbatteriet. För att sätta ingångskabel i direkt anslutning, avbryt cigarette ljus och skala av för att ta kopparkablar.

G-3



Anslut ström - Kontrollenhet -antenn med
Adapter cigarettuttag och Kabel för Kontrollenhet

G-4



Placera styrenheten på fast Hållare

